



The World Wide Leader in Antenna



GSM Antenna

TC-8810



Frequency : 900/ 1800/ 1900 MHZ

Gain : 3dBi

V.S.W.R : <1.5:1

Impedance : 50 ohm

Connector : FME/ F (Optional)

Cable : RG174 (Optional)

Material : TPR

Weight : 50g

Color : Black

Polarization : Linear (H) or (V)

Mount : Suction

Temperature : -20°C to +60°C

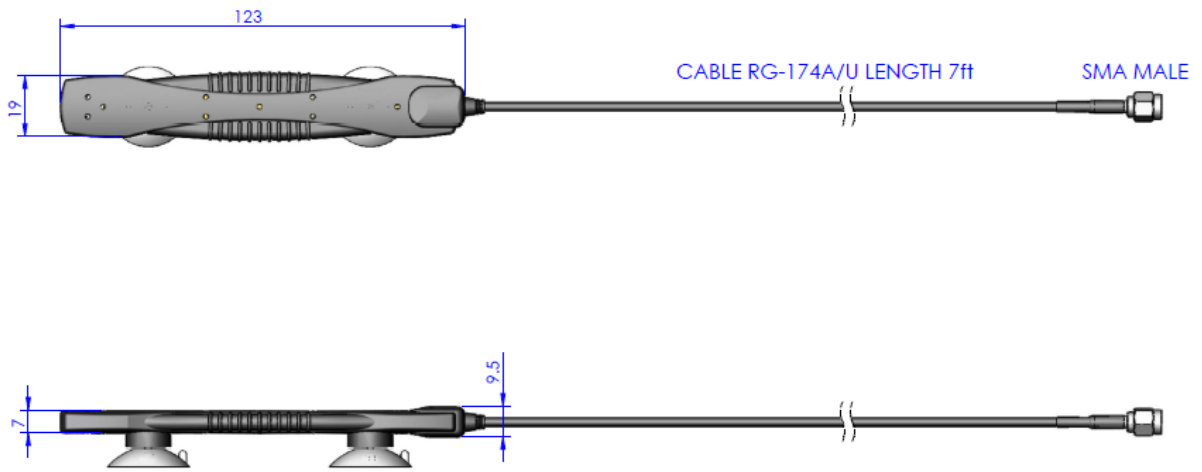
Max. Power : 25W

Dimension : ϕ 123 x 19mm

EVERCOM COMMUNICAITON TECHNOLOGY CO., LTD.

No.108 Jiesin St. Taoyuan District Taoyuan City 33063, Taiwan R.O.C.

Tel: +886-3- 376- 5678 Fax: +886-3- 376- 5319 E-Mail: service@evercomtech.com



EVERCOM COMMUNICATION TECHNOLOGY CO; LTD

CHECKED BY

APPROVAL BY

DESIGNED BY

SCALE

UNIT

MODEL NAME

MODEL NO.

TC-8810SMA-M2

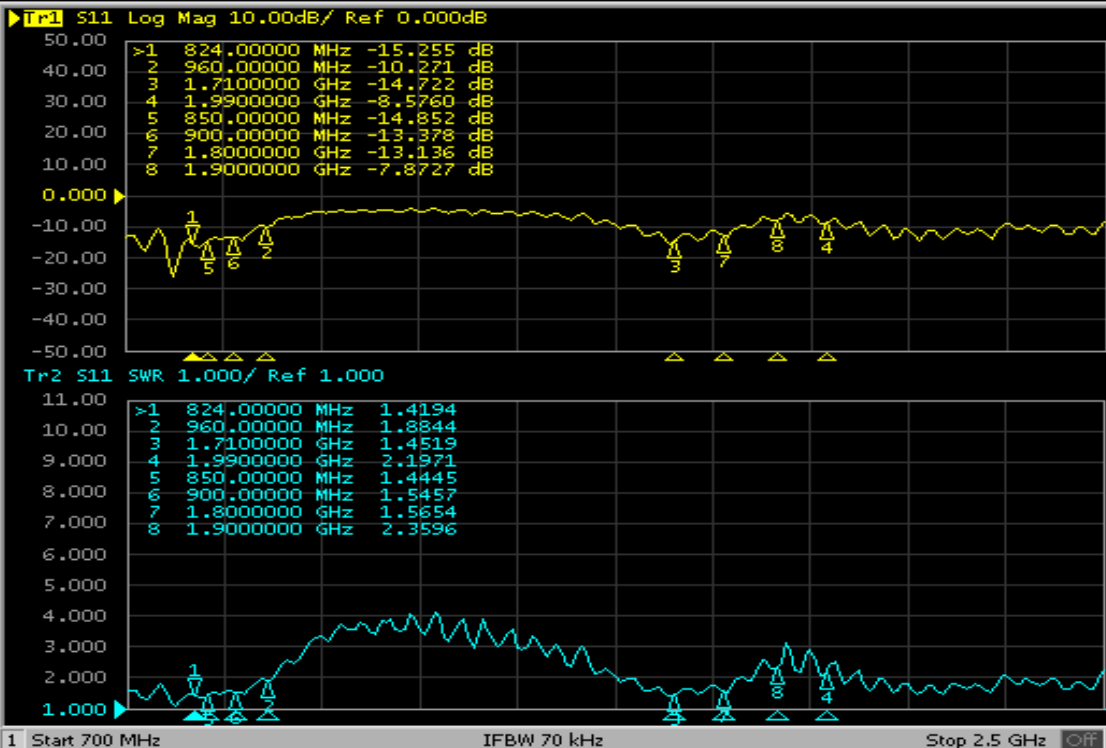
C.H.C

1 : 1.5

mm

2010.04.28

1 Active Ch/Trace 2 Response 3 Stimulus 4 Mkr/Analysis 5 Instr State



System

Print

Abort Printing

Printer Setup...

Invert Image

ON

Dump Screen Image...

Multiport Test Set Setup

Misc Setup

Backlight

ON

Firmware

Revision

Meas Stop ExtRef Ready Svc 2009-09-22 09:55



The World Wide Leader in Antenna

Packaging

***1 pc Antenna
PE bag/ each**

**100 pcs per carton
Carton Dimensions:40*30*20cm**

