



The World Wide Lead Antenn



GSM Antenna

TC-8815



Frequency : 900/ 1800/ 2200 MHZ

Gain : 3dBi

V.S.W.R : <1.5:1

Impedance: 50 ohm

Connector :SMA/ Male (Optional)

Cable : RG174 (Optional)

Material : ABS Polymer

Weight: 80g

Color: Black

Mount: 3M Tape

Polarization: Linear (H) or (V)

Temperature:-20°C to +60°C

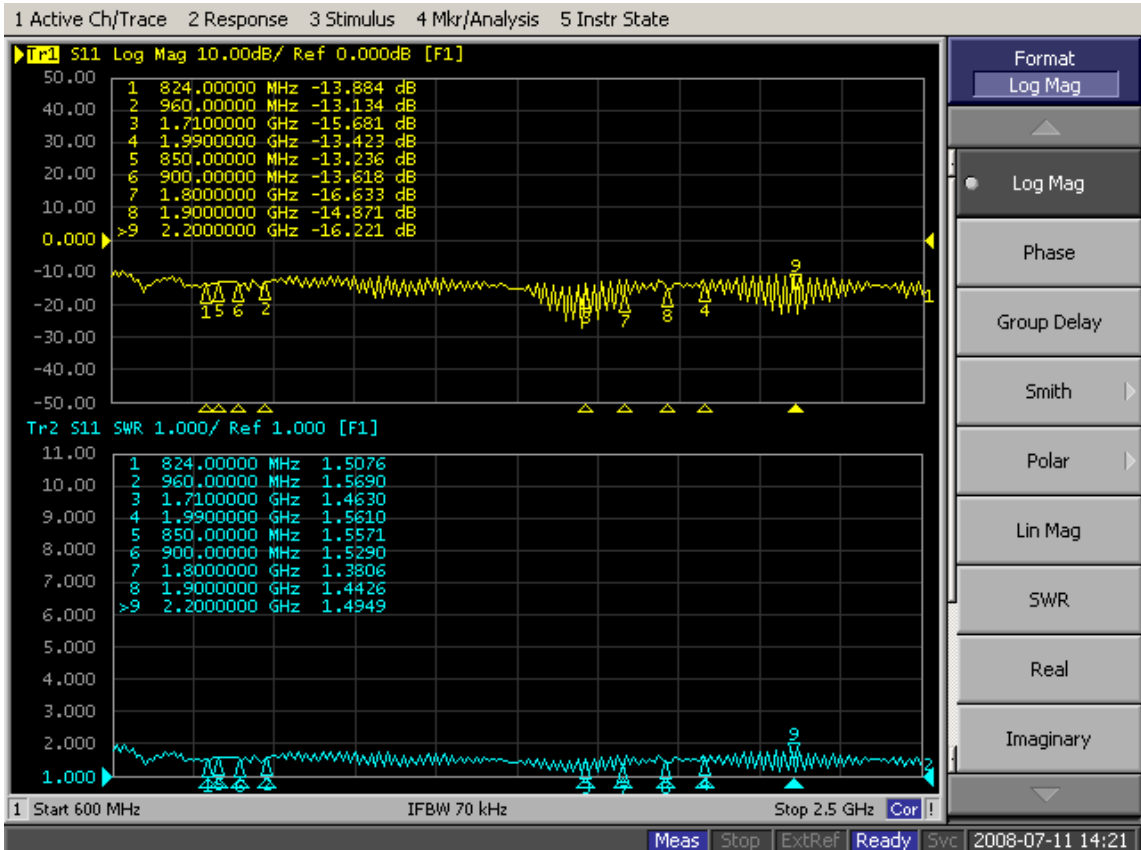
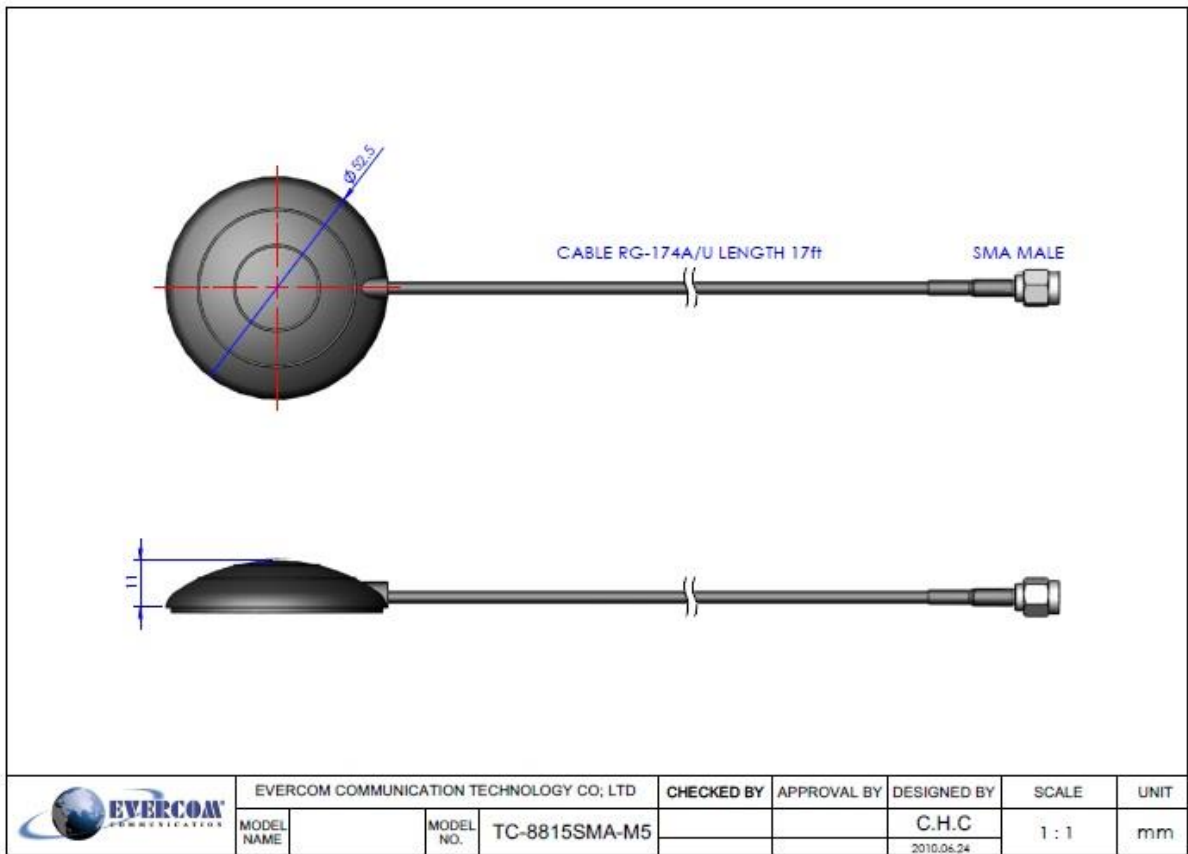
Max. Power: 50W

Dimension: \varnothing 52.5 x 11mm

EVERCOM COMMUNICAITON TECHNOLOGY CO., LTD.

No.108 Jiesin St. Taoyuan District Taoyuan City 33063, Taiwan R.O.C.

Tel: +886-3- 376- 5678 Fax: +886-3- 376- 5319 E-Mail: service@evercomtech.com





The World Wide Leader in Antenna

Packaging

***1 pc Antenna
PE bag/ each**

**100 pcs per carton
Carton Dimensions:40*30*20cm**

