



The World Wide Lead Antenn



GSM Antenna

TC-8822



Frequency : 900/ 1800/ 2200 MHZ

Gain : 2.15dBi

Connector : FME, Mini-SMA (Optional)

V.S.W.R : <1.5:1

Impedance: 50 ohm

Cable : RG174 (Optional)

Weight: 60g

Material : TPR

Polarization: Linear (H) or (V)

Color: Black

Mount: 3M Tape

Temperature:-20°C to +60°C

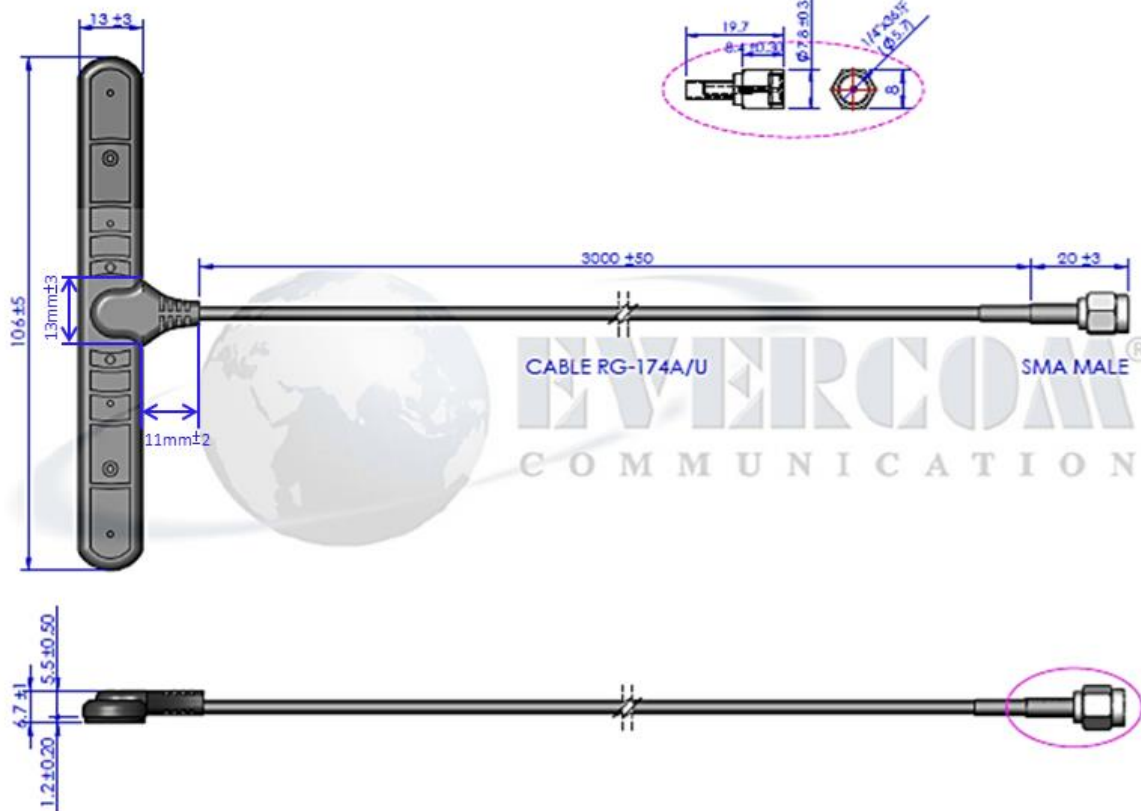
Max. Power: 50W

Dimension: \varnothing 106 x 13mm

EVERCOM COMMUNICAITON TECHNOLOGY CO., LTD.

No.108 Jiesin St. Taoyuan District Taoyuan City 33063, Taiwan R.O.C.

Tel: +886-3- 376- 5678 Fax: +886-3- 376- 5319 E-Mail: service@evercomtech.com



EVERCOM COMMUNICATION TECHNOLOGY CO., LTD

CHECKED BY

APPROVAL BY

DESIGNED BY

SCALE

UNIT

MODEL NAME

MODEL NO.

TC-8822SMA-M3

Ben

C.H.C

1 : 1

mm

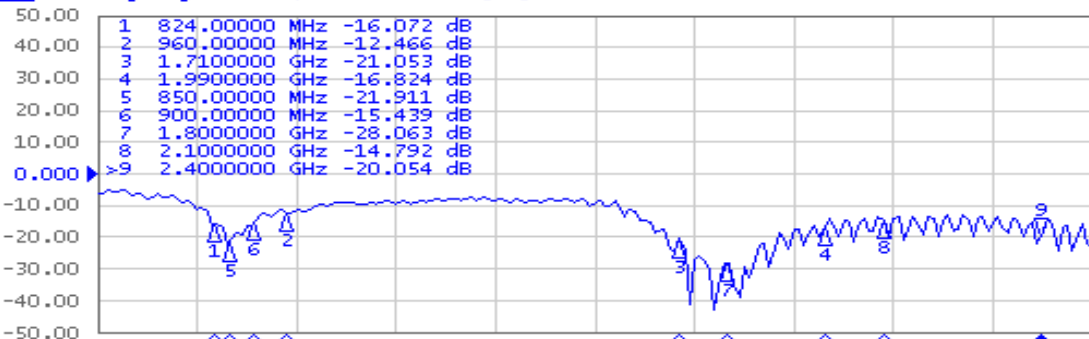
20160901

2010.04.19

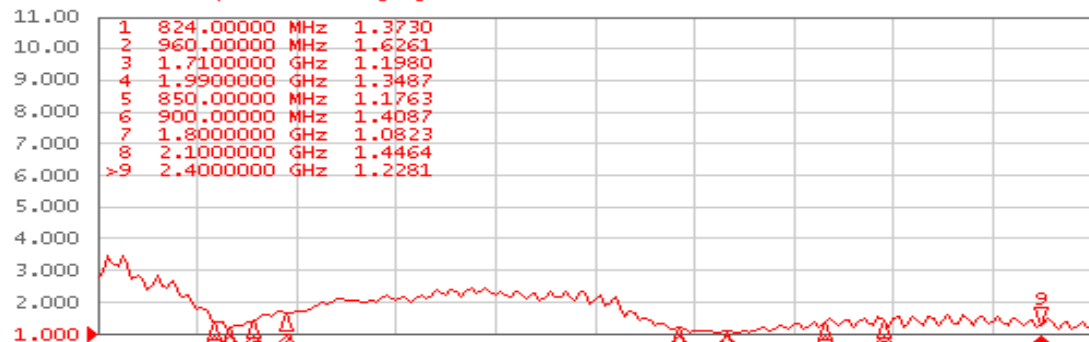
1 Active Ch/Trace 2 Response 3 Stimulus 4 Mkr/Analysis 5 Instr State

Evercom Communication Technology Co.,Ltd.

Tr1 S11 Log Mag 10.00dB/ Ref 0.000dB [R0]



Tr2 S11 SWR 1.000/ Ref 1.000 [R0]



1 Start 600 MHz

IFBW 70 kHz

Stop 2.5 GHz Cor!

Meas Stop ExtRef Ready Svc 2016-08-17 08:35

System

Print

Abort Printing

Printer Setup...

Invert Image

ON

Dump
Screen Image...

Multiport Test Set
Setup

Misc Setup

Backlight

ON

Firmware
Revision



The World Wide Leader in Antenna

Packaging

***1 pc Antenna
PE bag/ each**

**100 pcs per carton
Carton Dimensions:40*30*20cm**

