



The World Wide Lead Antenn



# GSM Antenna

## TC-8825

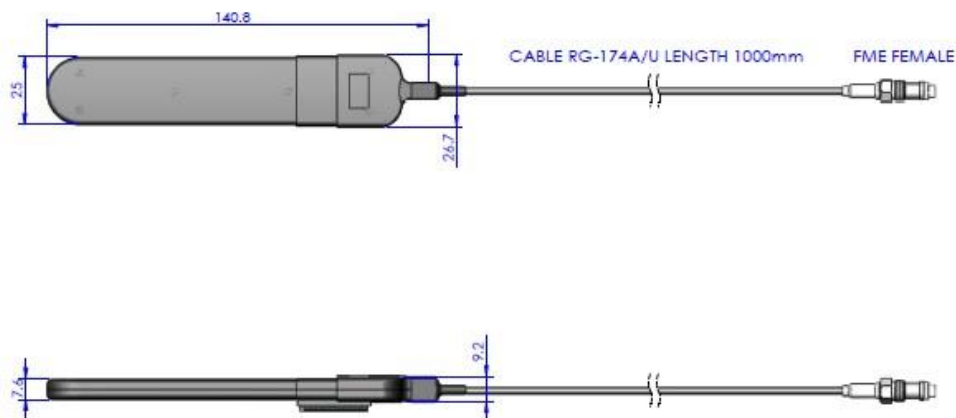


- Frequency : 900/ 1800/ 2200 MHZ
- Gain : 2.15dBi
- Connector : FME/ F (Optional)
- V.S.W.R : <1.5:1
- Impedance: 50 ohm
- Cable : RG174 (Optional)
- Weight: 45g
- Material : ABS Polymer
- Polarization: Linear (H) or (V)
- Color: Black
- Mount: Devil
- Temperature:-20°C to +60°C
- Dimension: ø140 x 25mm

EVERCOM COMMUNICAITON TECHNOLOGY CO., LTD.

No.108 Jiesin St. Taoyuan District Taoyuan City 33063, Taiwan R.O.C.

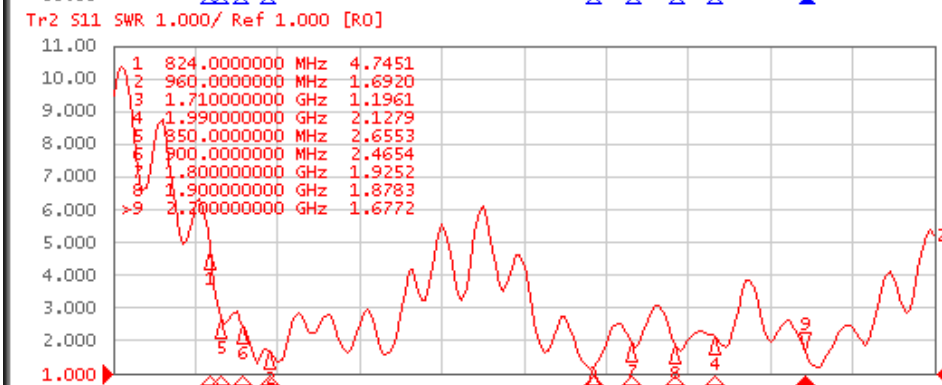
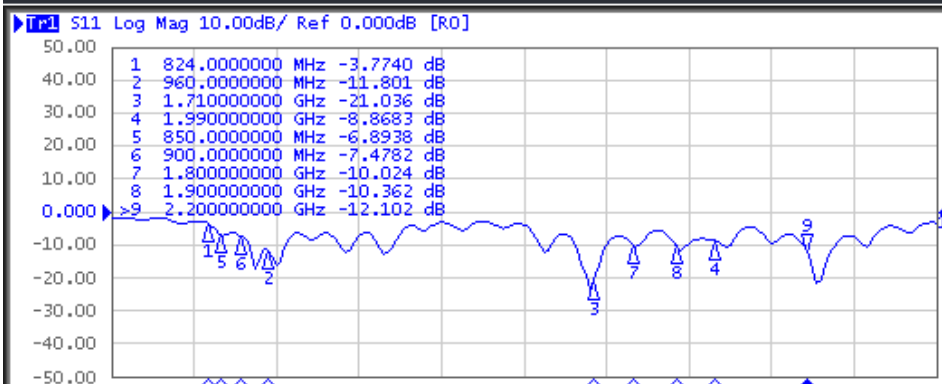
Tel: +886-3- 376- 5678 Fax: +886-3- 376- 5319 E-Mail: service@evercomtech.com



	EVERCOM COMMUNICATION TECHNOLOGY CO., LTD			CHECKED BY	APPROVAL BY	DESIGNED BY	SCALE	UNIT
	MODEL NAME	MODEL NO.	TC-8825FME-F1			C.H.C	1 : 1.5	mm
						2010.04.21		

### Evercom Communication Technology Co., Ltd. Frequency Inspection Report

1 Active Ch/Trace 2 Response 3 Stimulus 4 Mkr/Analysis 5 Instr State



1 Start 600 MHz IFBW 70 kHz Stop 2.5 GHz Cor |

System

Print

Abort Printing

Printer Setup...

Invert Image ON

Dump Screen Image...

E5091A Setup

Misc Setup

Backlight ON

Firmware Revision

Meas Stop ExtRef Ready Svc 2018-04-03 08:56

Item No. :FG-TC-8825FME-F1

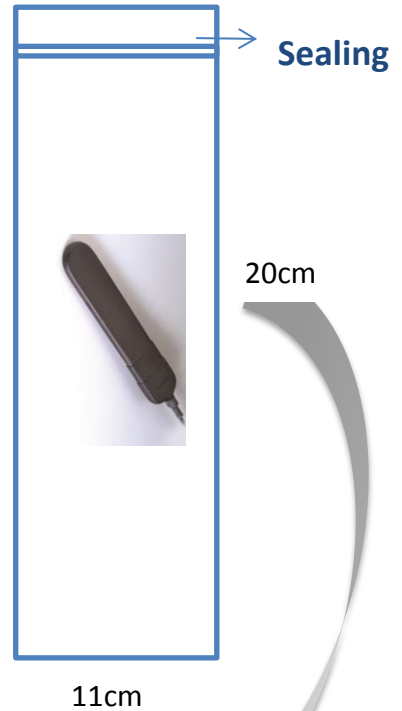
Inspector: Amber



The World Wide Leader in Antenna

# Packaging

\*1 pc Antenna  
PE bag/ each



100 pcs per carton  
Carton Dimensions:30\*30\*20cm

