



The World Wide Leader Antenn



GSM Antenna

TC-8828



Frequency : 900/ 1800/ 2200 MHZ
Gain : 3dBi
Connector: FME/F (Optional)
V.S.W.R : <1.5:1
Impedance: 50 ohm
Cable : RG174 (Optional)
Dimension: ϕ 125 x 16mm
Weight: \approx 60g
Material : TPR
Polarization: Linear (H) or (V)
Color: Black
Mount: 3M Tape
Temperature: -20°C to +60°C

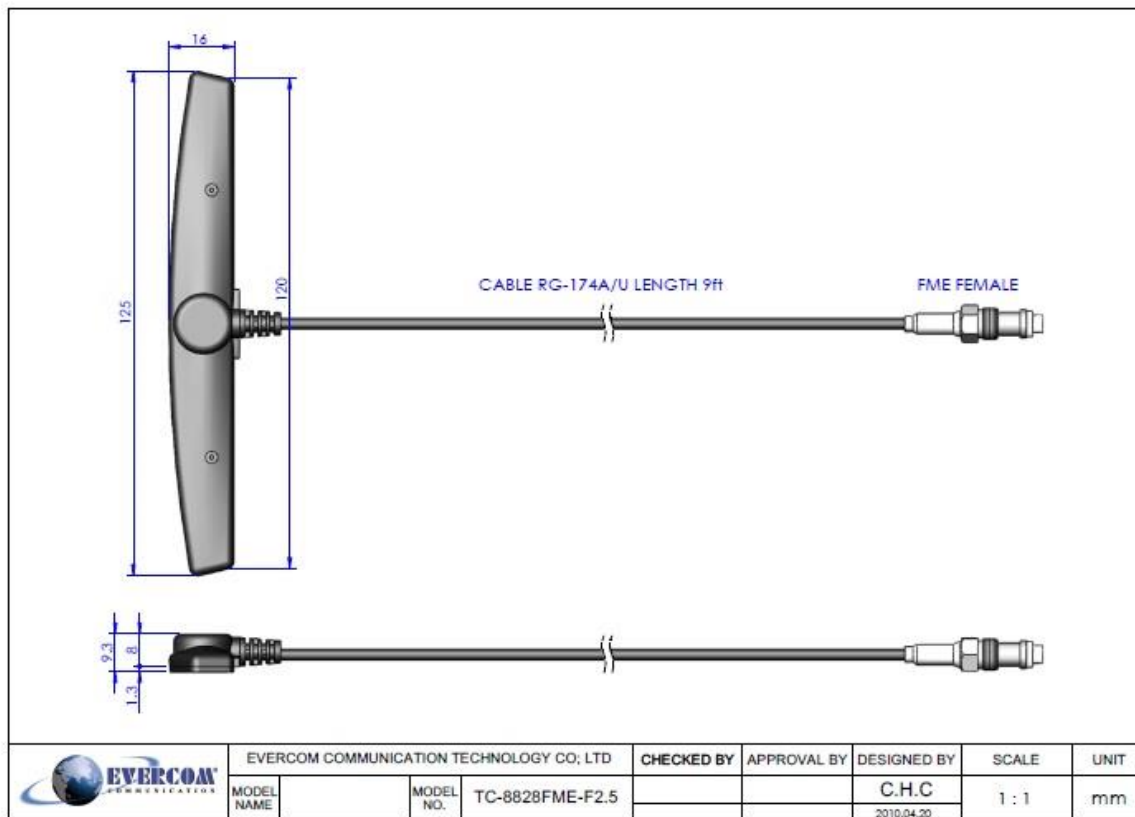
EVERCOM COMMUNICAITON TECHNOLOGY CO., LTD.

No.108 Jiesin St. Taoyuan District Taoyuan City 33063, Taiwan R.O.C.

Tel: +886-3- 376- 5678 Fax: +886-3- 376- 5319 E-Mail: service@evercomtech.com



ISO 9001



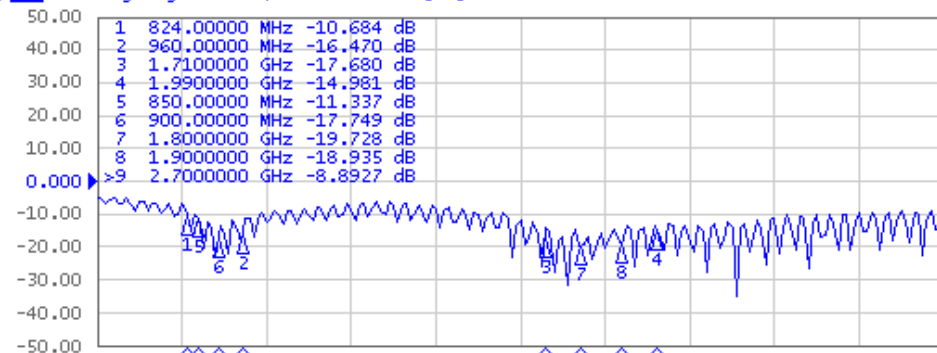
	EVERCOM COMMUNICATION TECHNOLOGY CO., LTD		CHECKED BY	APPROVAL BY	DESIGNED BY	SCALE	UNIT
	MODEL NAME	MODEL NO.	TC-8828FME-F2.5			C.H.C 2010.04.20	1 : 1

Evercom Communication Technology Co., Ltd. Frequency Inspection Report

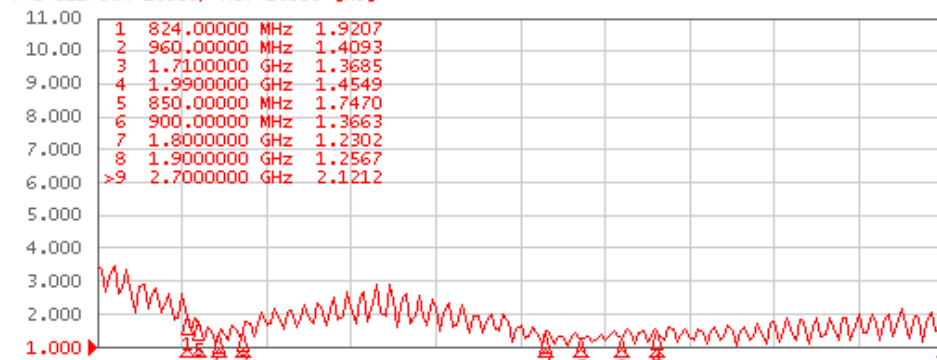
1 Active Ch/Trace 2 Response 3 Stimulus 4 Mkr/Analysis 5 Instr State

Evercom Communication Technology Co., Ltd.

▶ Tr1 S11 Log Mag 10.00dB/ Ref 0.000dB [R0]



Tr2 S11 SWR 1.000/ Ref 1.000 [R0]



1 Start 600 MHz IFBW 70 kHz Stop 2.7 GHz Cor

Meas Stop ExtRef Ready Svc 2014-09-22 13:53

System

Print

Abort Printing

Printer Setup...

Invert Image
ON

Dump
Screen Image...

Multiport Test Set
Setup

Misc Setup

Backlight
ON

Firmware
Revision

Item No. : FG-TC-8828FME-F2.5

Inspector: Amber



The World Wide Leader in Antenna

Packaging

***1 pc Antenna
PE bag/ each**

**100 pcs per carton
Carton Dimensions:40*30*20cm**

