



Your
3G
Signal



Your
GPS
Signal

The World Wide Leader in Antenna

Portable Antenna

TC-7305

Frequency : 900/1800/1900MHz

Gain : 3dBi

V.S.W.R : <1.5:1

Impedance : 50 ohm

Connector : FME, SMA

Material : TPR

Length : 50mm

Weight : ≐ 10g

Color : Black/ White

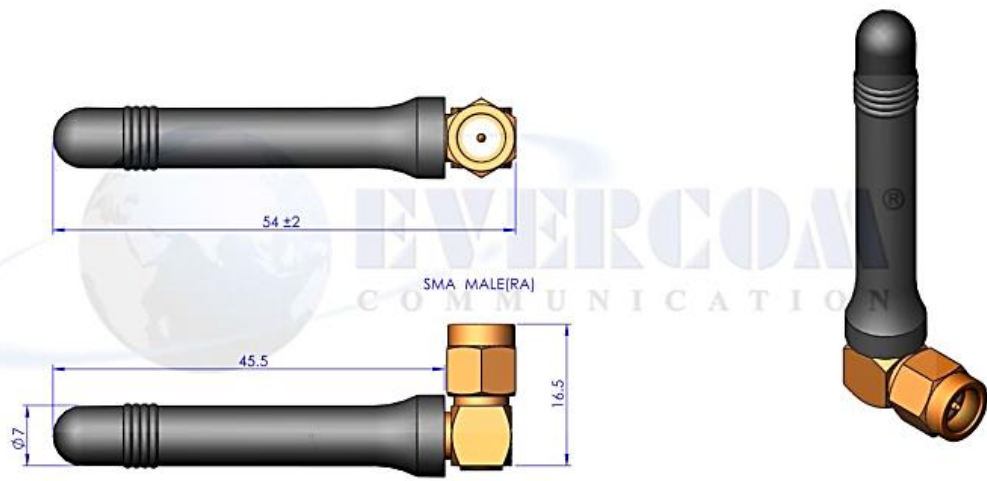
Polarization : Vertical



EVERCOM COMMUNICAITON TECHNOLOGY CO., LTD.

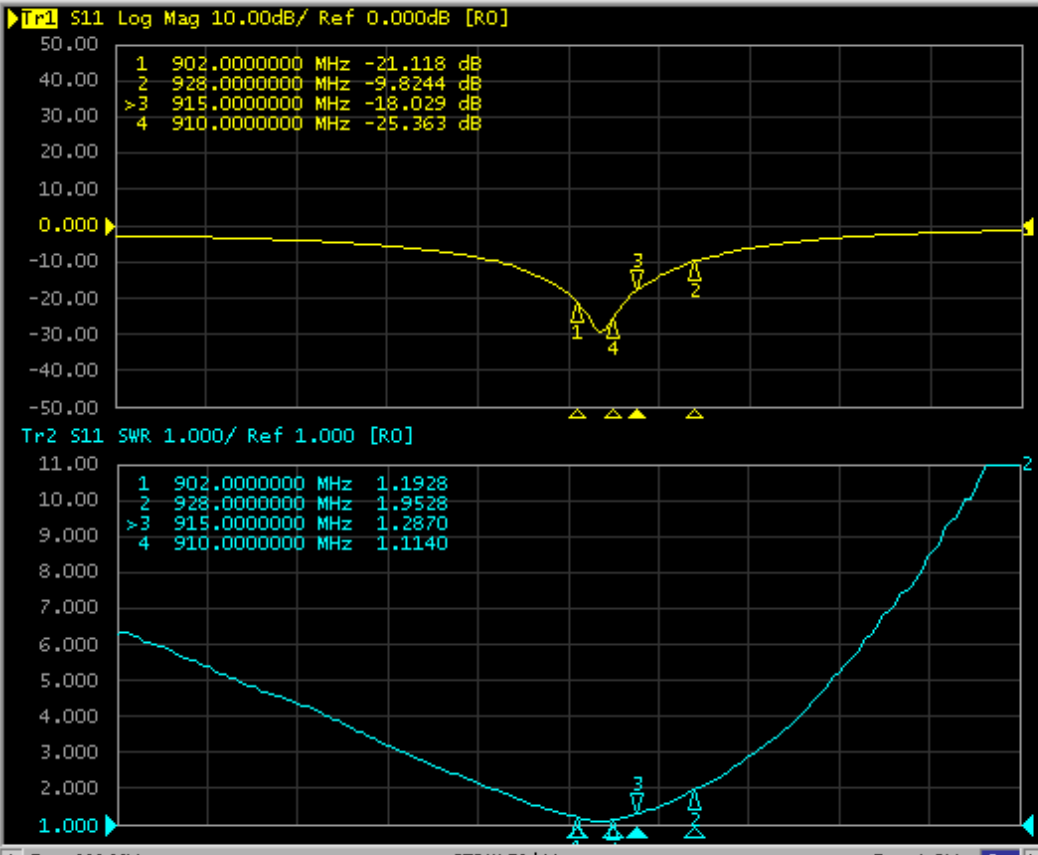
No.108 Jiesin St. Taoyuan District Taoyuan City 33063, Taiwan R.O.C.

Tel: +886-3- 376- 5678 Fax: +886-3- 376- 5319 E-Mail: service@evercomtech.com



EVERCOM COMMUNICATION TECHNOLOGY CO; LTD		CHECKED BY	APPROVAL BY	DESIGNED BY	SCALE	UNIT
MODEL NAME	MODEL NO.	TC-7305XWL/SM	<i>Ben</i> 20130104	C.H.C 2013.01.03	2 : 1	mm

1 Active Ch/Trace 2 Response 3 Stimulus 4 Mkr/Analysis 5 Instr State



System

Print

Abort Printing

Printer Setup...

Invert Image
ON

Dump Screen Image...

E5091A Setup

Misc Setup

Backlight
ON

Firmware Revision

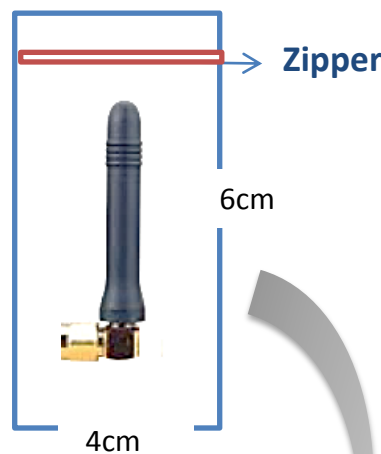
1 Start 800 MHz IFBW 70 kHz Stop 1 GHz Cor | Meas Stop ExtRef Ready Svc 2020-02-26 15:08



The World Wide Leader in Antenna

Packaging

***1 pc Antenna
Zipper bag/ each**



**500 pcs per carton
Carton Dimensions:25*25*15cm**

