



The World Wide Leader in Antenna

Roof Antenna Holder

AC-505T



Frequency : Roof Antenna Holder

Mounting : Roof Type

Material : Steel / PVC

Weight : 260g

Color: White Chrome

Temperature : -20°C~60°C

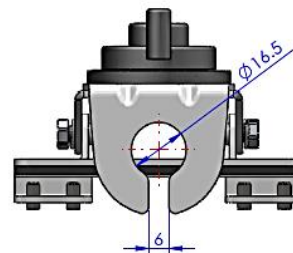
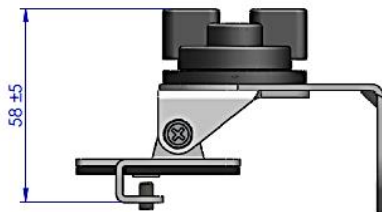
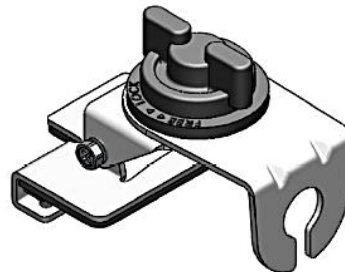
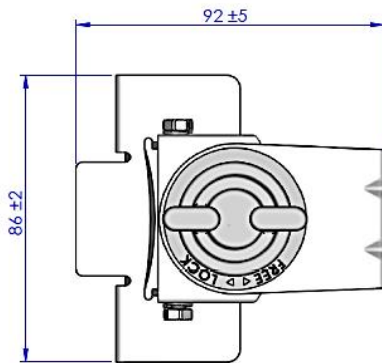
EVERCOM COMMUNICAITON TECHNOLOGY CO., LTD.

No.108 Jiesin St. Taoyuan District Taoyuan City 33063, Taiwan R.O.C.

Tel: +886-3- 376- 5678 Fax: +886-3- 376- 5319 E-Mail: service@evercomtech.com



ISO 9001





The World Wide Leader in Antenna

Packaging

***1 pc Antenna
PE bag/ each**

15cm



15cm

**50 pcs per carton
Carton Dimensions: 40*30*20cm**

