



The World Wide Leader in Antenna

GSM OMNI Antenna

TC-502



Frequency : 824/960/1900MHz

Gain : 5dB

V.S.W.R : <1.5:1

Impedance: 50 ohm

Connector : 3/8"x 24 Thread

Cable : RG58

Material : Fiberglass

Length: 815mm

Weight: 400g

Color: Black

Polarization: Vertical

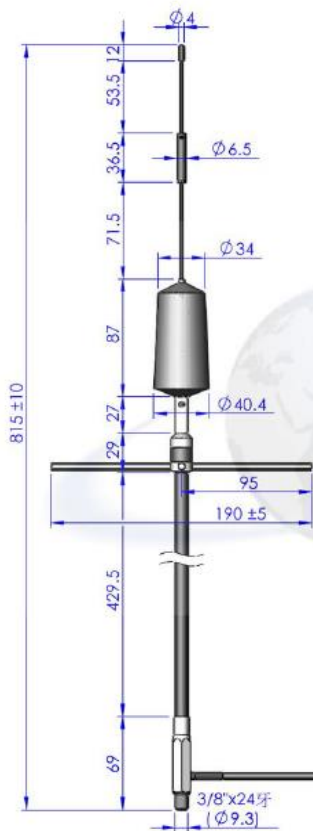
Mount: Roof Type

Max. Power: 50W

EVERCOM COMMUNICAITON TECHNOLOGY CO., LTD.

No.108 Jiesin St. Taoyuan District Taoyuan City 33063, Taiwan R.O.C.

Tel: +886-3- 376- 5678 Fax: +886-3- 376- 5319 E-Mail: service@evercomtech.com



EVERCOM
COMMUNICATION



CABLE RG58A/U LENGTH 12ft

FME FEMALE



EVERCOM COMMUNICATION TECHNOLOGY CO, LTD

CHECKED BY

APPROVAL BY

DESIGNED BY

SCALE

UNIT

MODEL NAME

MODEL NO.

TC-502

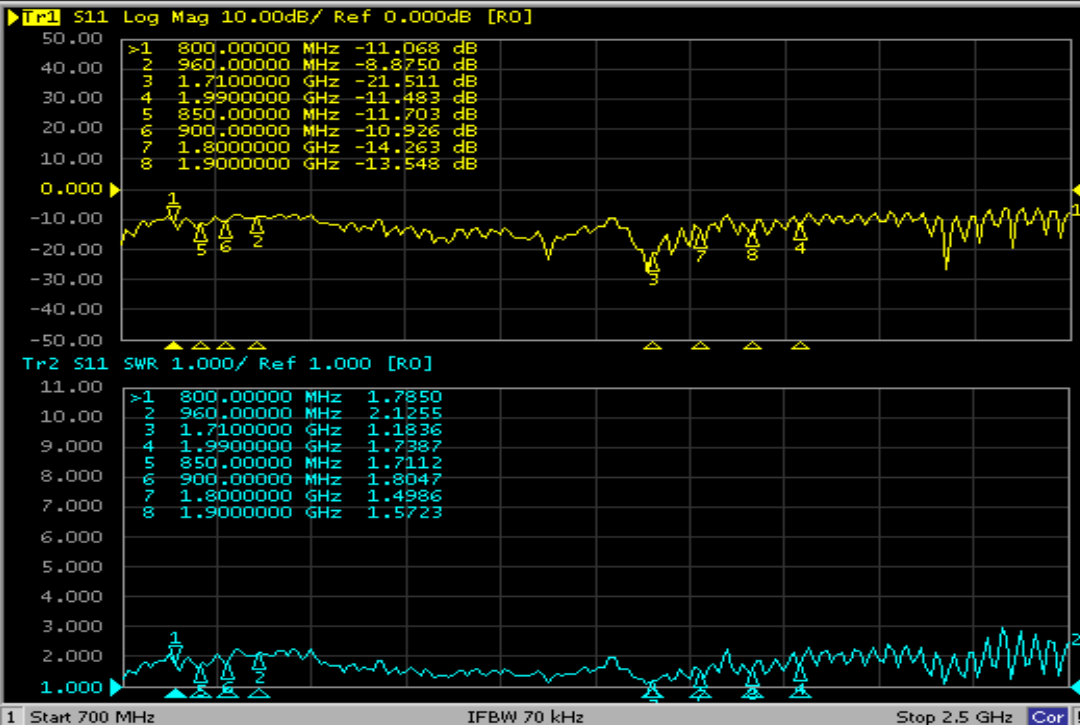
Ben
20121228

C.H.C
2012.12.28

1 : 3.5

mm

1 Active Ch/Trace 2 Response 3 Stimulus 4 Mkr/Analysis 5 Instr State



System

Print

Abort Printing

Printer Setup...

Invert Image ON

Dump Screen Image...

Multiport Test Set Setup

Misc Setup

Backlight ON

Firmware Revision

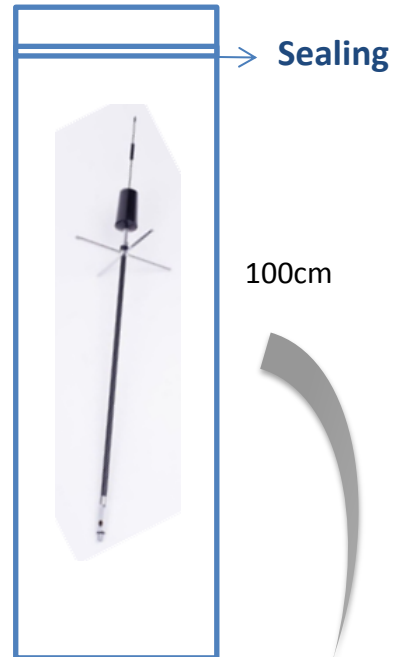
2010-10-08 08:58



The World Wide Leader in Antenna

Packaging

***1 pc Antenna
PE bag/ each**



**25 pcs per carton
Carton Dimensions: 100*20*20cm**

