



**WIFI**



*The World Wide Leader in Antenna*

# GSM Antenna

## TC-9411



Frequency : 824-960 / 1710-2200MHZ

Gain : 2dBi

Connector : SMA/Male (Optional)

V.S.W.R : <1.5:1

Impedance : 50 ohm

Cable : RG58U (Optional)

Length : 205 mm

Weight : 250g

Material : ABS/ Aluminum

Polarization : Vertical

Color: Black

Mounting : Wall Mount

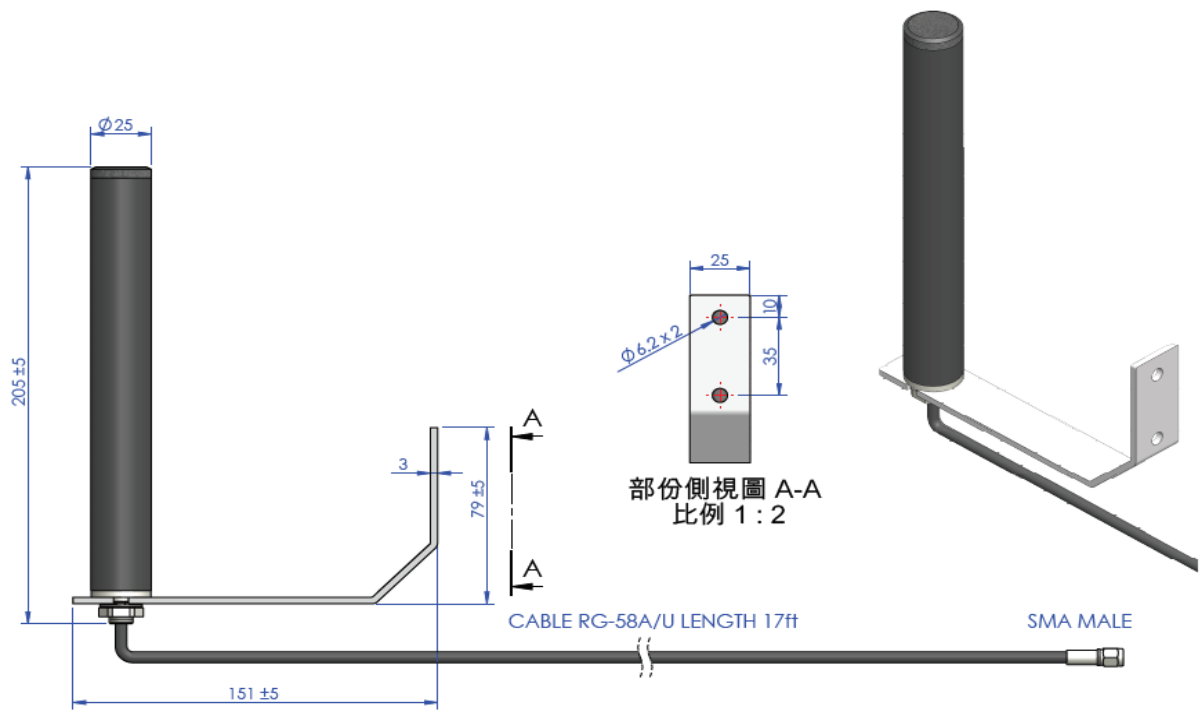
Temperature : -20°C to +60°C

Max. Power : 50W

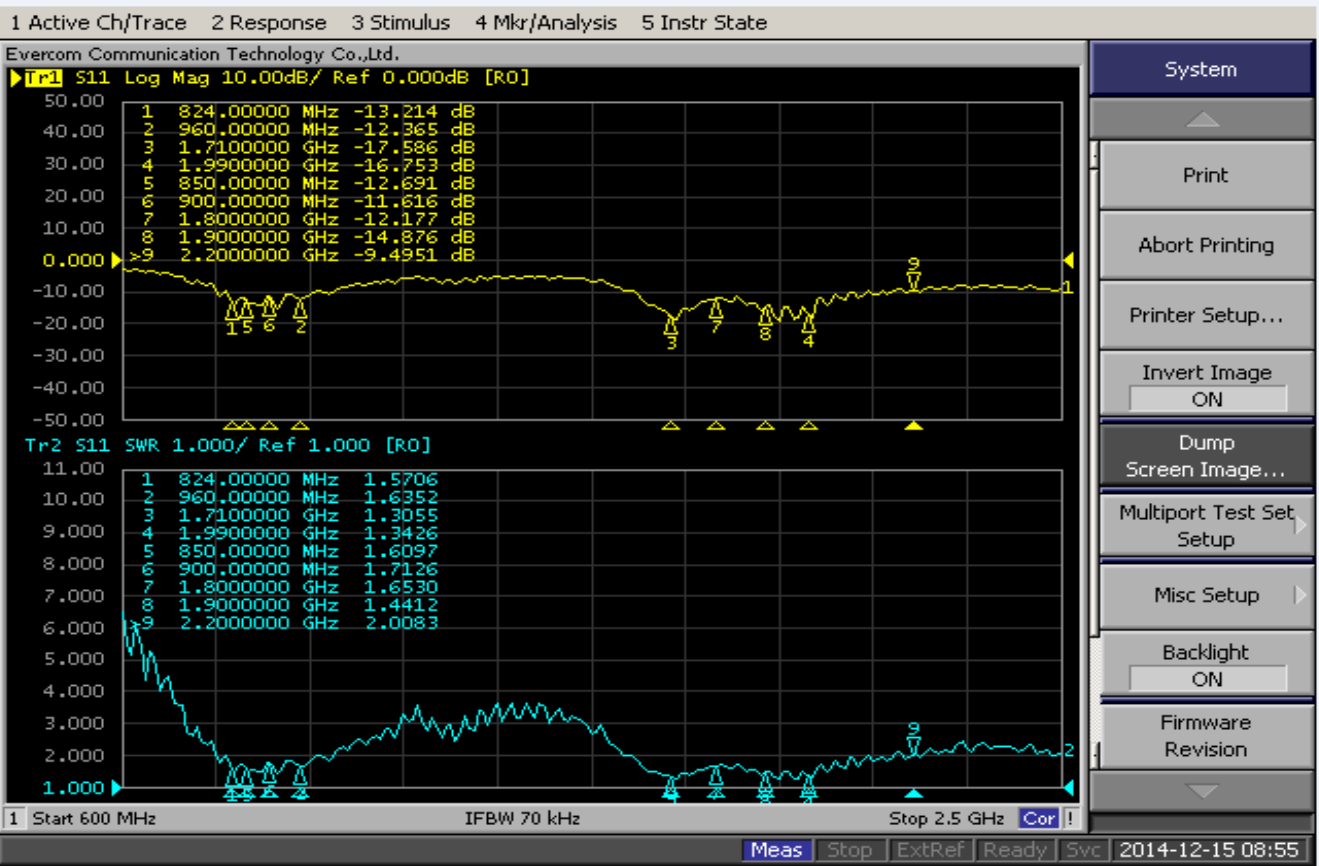
**EVERCOM COMMUNICAITON TECHNOLOGY CO., LTD.**

No.108 Jiesin St. Taoyuan District Taoyuan City 33063, Taiwan R.O.C.

Tel: +886-3- 376- 5678 Fax: +886-3- 376- 5319 E-Mail: [service@evercomtech.com](mailto:service@evercomtech.com)



	EVERCOM COMMUNICATION TECHNOLOGY CO.; LTD		CHECKED BY	APPROVAL BY	DESIGNED BY	SCALE	UNIT
	MODEL NO.	TC-9411 / 58ASM5			C.H.C 2014.05.29	1:2	mm





*The World Wide Leader in Antenna*

# Packaging

**\*1 pc Antenna  
PE bag/ each**

**25 pcs per carton  
Carton Dimensions: 50\*30\*20cm**

