



The World Wide Leader in Antenna

GSM Antenna

YAGI-01/15X

Frequency : 824-960 MHZ

Gain : 14dB

Connector : FME, Mini-UHF, TNC

V.S.W.R : <1.5:1

Impedance: 50 ohm

Cable : RG58 15M

Length: 780mm

Weight: ≈ 1.8 Kg

Material : Aluminum

Polarization: Linear (H) or (V)

Color: Silver Painting

Mounting: YAGI Holder

Temperature: -20°C ~ +60°C

Max. Power: 50W



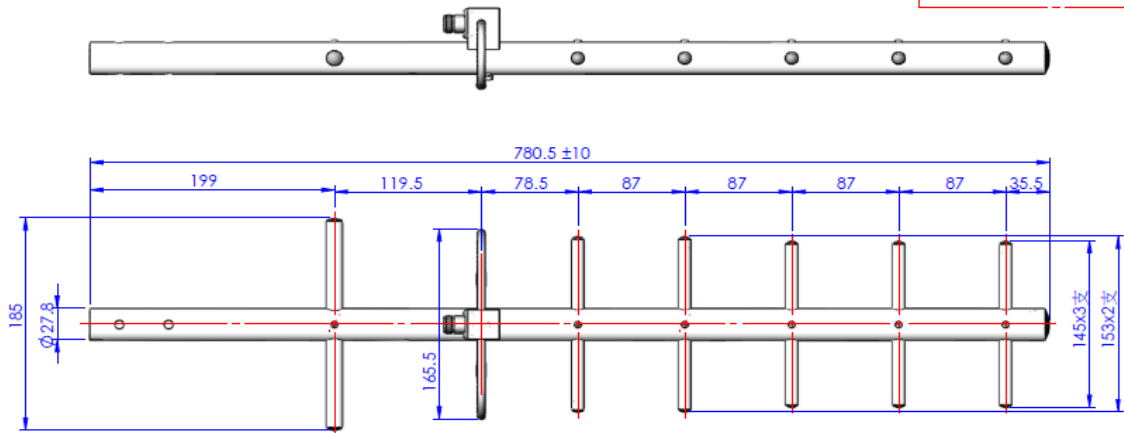
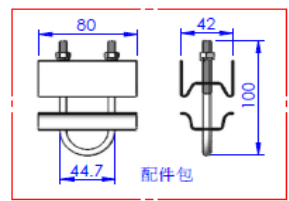
EVERCOM COMMUNICAITON TECHNOLOGY CO., LTD.

No.108 Jiesin St. Taoyuan District Taoyuan City 33063, Taiwan R.O.C.

Tel: +886-3- 376- 5678 Fax: +886-3- 376- 5319 E-Mail: service@evercomtech.com



ISO 9001



N MALE

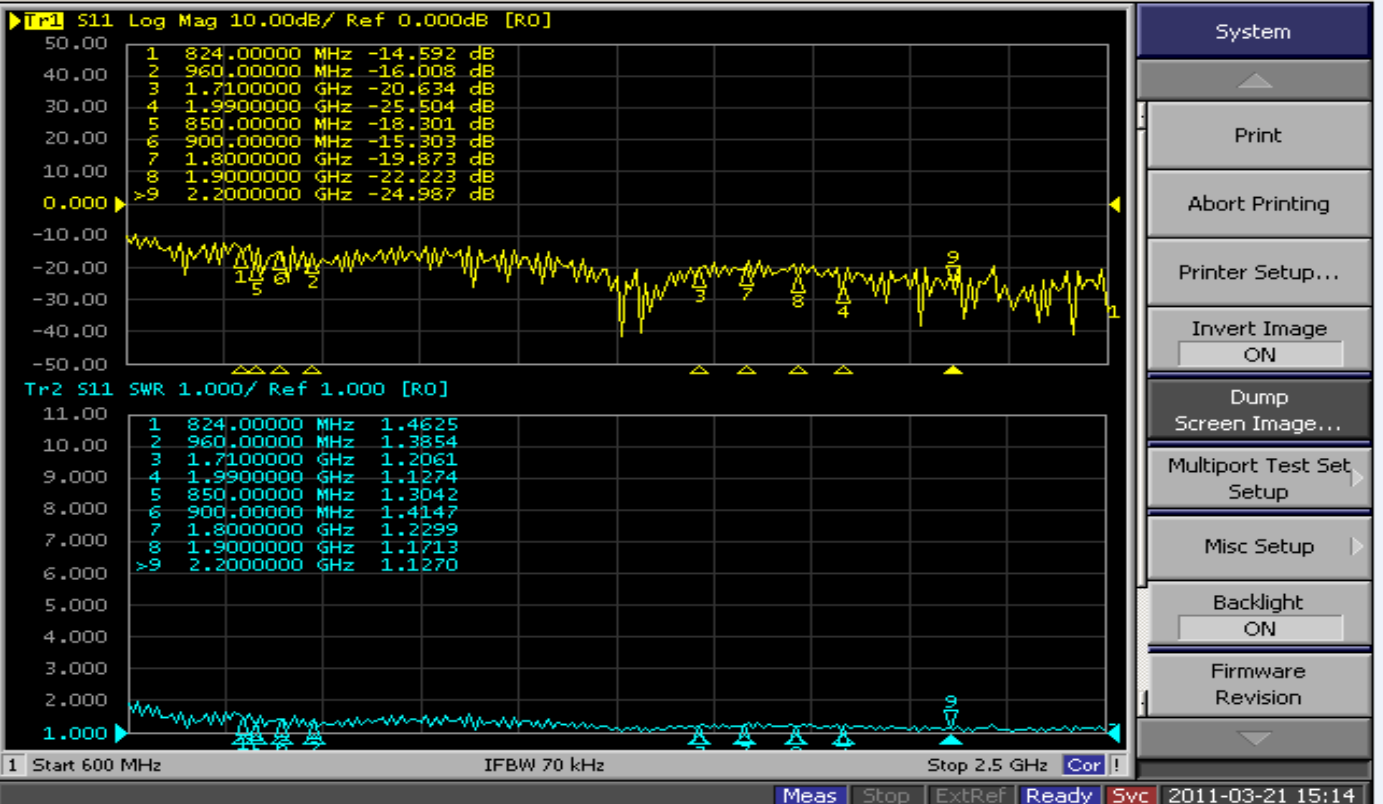
CABLE RG-58/U LENGTH 50ft

FME FEMALE

線粗比例 1:2

	EVERCOM COMMUNICATION TECHNOLOGY CO.; LTD			CHECKED BY	APPROVAL BY	DESIGNED BY	SCALE	UNIT
	MODEL NAME		MODEL NO.	YAGI-01/15X		C.H.C	2011.10.14	1 : 4

1 Active Ch/Trace 2 Response 3 Stimulus 4 Mkr/Analysis 5 Instr State

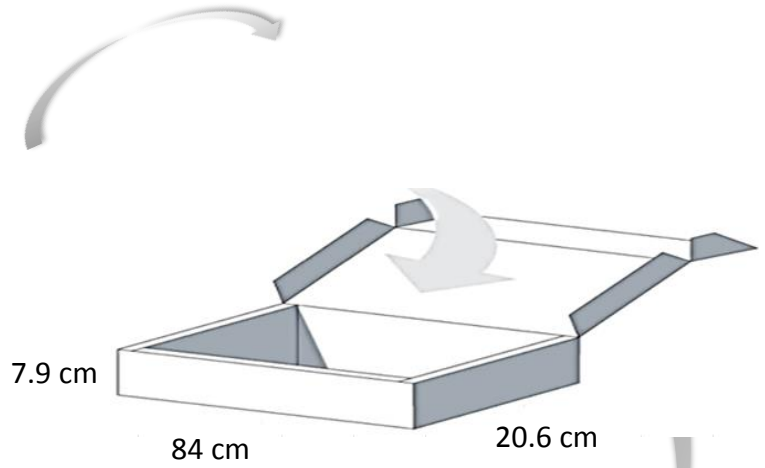




The World Wide Leader in Antenna

Packaging

***1 pc Antenna
box / each**



**10 pcs per carton
Carton Dimensions: 84.8*42.4*44.8cm**

