



The World Wide Leader in Antenna

GSM Antenna

YAGI-03/0

Frequency : 824-960 MHZ

Gain : 14dB

Connector : FME, Mini-UHF, TNC

V.S.W.R : <1.5:1

Impedance: 50 ohm

Cable : RG58

Length: 814mm

Weight: ≐ 1.4 Kg

Material : Aluminum

Polarization: Linear (H) or (V)

Color: Anode

Mounting: YAGI Holder

Temperature: -20°C ~ +60°C

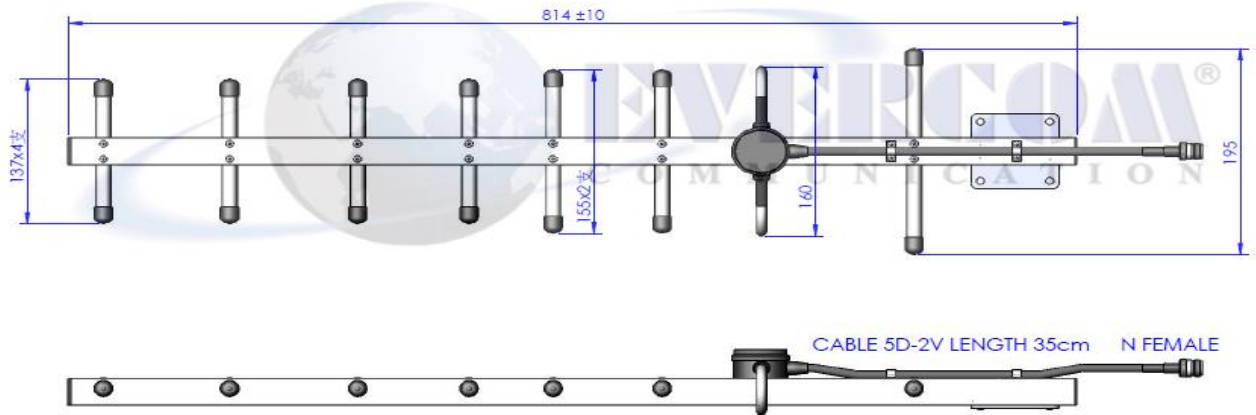
Max. Power: 60W



EVERCOM COMMUNICAITON TECHNOLOGY CO., LTD.

No.108 Jiesin St. Taoyuan District Taoyuan City 33063, Taiwan R.O.C.

Tel: +886-3- 376- 5678 Fax: +886-3- 376- 5319 E-Mail: service@evercomtech.com



EVERCOM COMMUNICATION TECHNOLOGY CO.; LTD

CHECKED BY

APPROVAL BY

DESIGNED BY

SCALE

UNIT

MODEL NAME

MODEL NO.

YAGI-03/0

Ben

C.H.C

1 : 4

mm

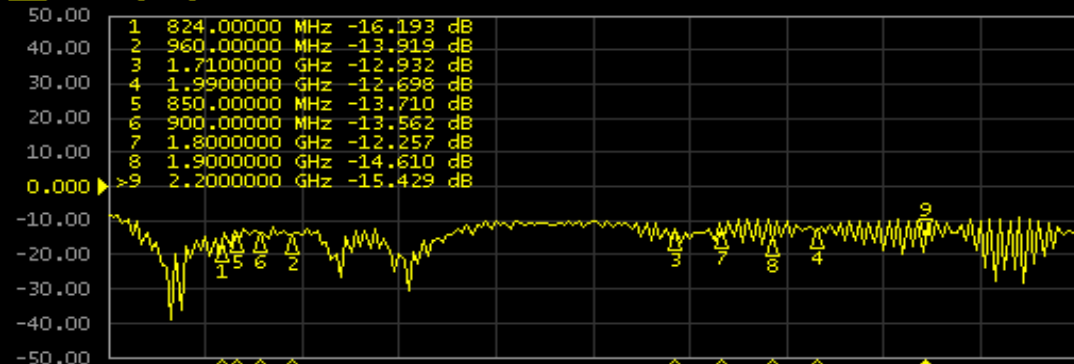
20180831

2018.08.21

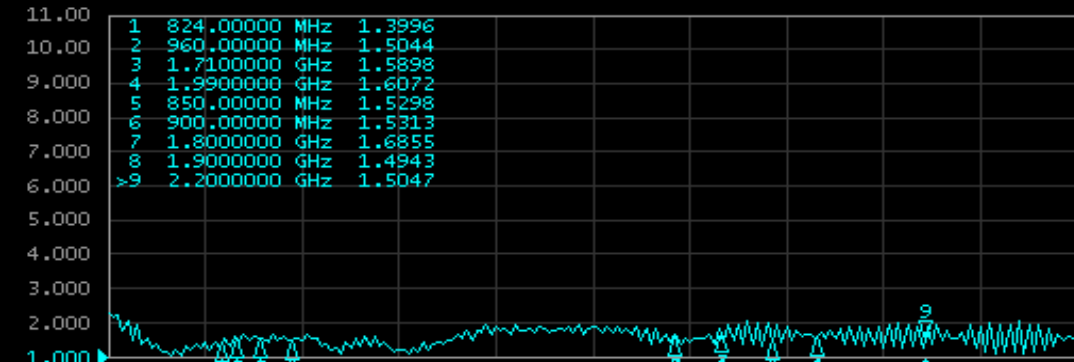
1 Active Ch/Trace 2 Response 3 Stimulus 4 Mkr/Analysis 5 Instr State

Evercom Communication Technology Co.,Ltd.

Tr1 S11 Log Mag 10.00dB/ Ref 0.000dB [R0]



Tr2 S11 SWR 1.000/ Ref 1.000 [R0]



1 Start 600 MHz

IFBW 70 kHz

Stop 2.5 GHz

Meas Stop ExtRef Ready Svc 2011-07-13 16:01

System

Print

Abort Printing

Printer Setup...

Invert Image

ON

Dump Screen Image...

Multiport Test Set Setup

Misc Setup

Backlight

ON

Firmware

Revision

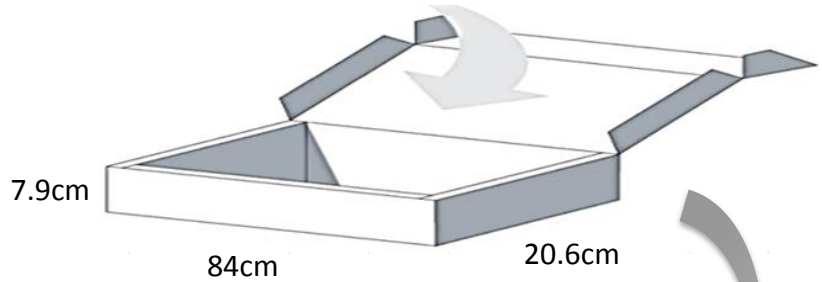


The World Wide Leader in Antenna

Packaging



***1 pc Antenna
box / each**



**10 pcs per carton
Carton Dimensions: 87*45*44cm**

