



The World Wide Leader in Antenna

GSM Antenna

YAGI-04MI

Frequency : 900/ 1800 MHZ

Gain : 9dB

Connector : FME, Mini-UHF, TNC

V.S.W.R : <1.5:1

Impedance: 50 ohm

Cable : Optional

Length: 444mm

Weight: 0.6 Kg

Material : Aluminum

Polarization: Linear (H) or (V)

Color: Anode

Mounting: YAGI-Holder

Temperature: -20°C ~ +60°C

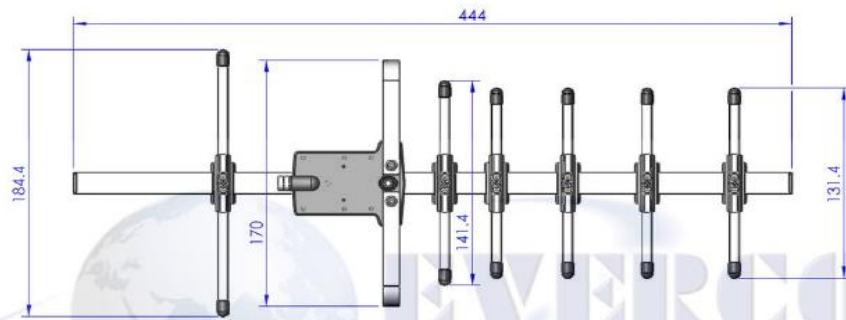
Max. Power: 60W



EVERCOM COMMUNICAITON TECHNOLOGY CO., LTD.

No.108 Jiesin St. Taoyuan District Taoyuan City 33063, Taiwan R.O.C.

Tel: +886-3- 376- 5678 Fax: +886-3- 376- 5319 E-Mail: service@evercomtech.com



配件包
(上下固定架+U型鐵)

FME FEMALE

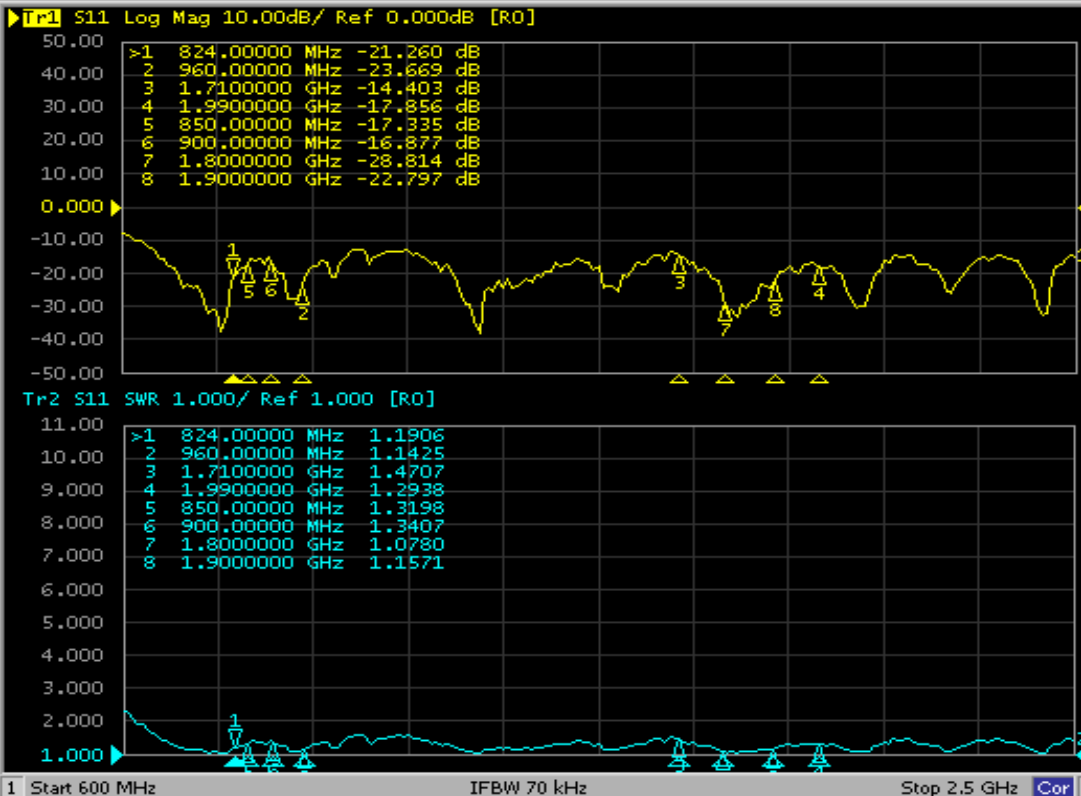
CABLE RG58/U LENGTH 50cm

N FEMALE

線組比例 1:2

	EVERCOM COMMUNICATION TECHNOLOGY CO; LTD		CHECKED BY	APPROVAL BY	DESIGNED BY	SCALE	UNIT
	MODEL NAME	MODEL NO.	YAGI-04Mi/NX05		Ben 20140102	C.H.C 2013.03.07	1:3

1 Active Ch/Trace 2 Response 3 Stimulus 4 Mkr/Analysis 5 Instr State



System

Print

Abort Printing

Printer Setup...

Invert Image
ON

Dump Screen Image...

Multiport Test Set Setup

Misc Setup

Backlight
ON

Firmware Revision

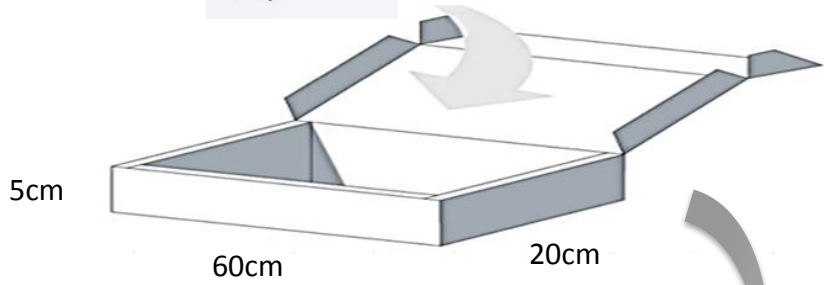
Meas Stop ExtRef Ready Svc 2009-02-26 09:25



The World Wide Leader in Antenna

Packaging

***1 pc Antenna
box / each**



**10 pcs per carton
Carton Dimensions: 61.8*42.7*30.8cm**

