



The World Wide Leader in Antenna

GSM Antenna

YAGI-07



Frequency : 1200 MHZ

Gain : 14.5dB

Connector : FME, Mini-UHF, TNC

V.S.W.R : <1.5:1

Impedance : 50 ohm

Cable : Optional

Length : 473mm

Weight : 1.0 Kg

Material : Steel

Polarization : Linear (H) or (V)

Color : White Chrome

Mounting : U-Bolts

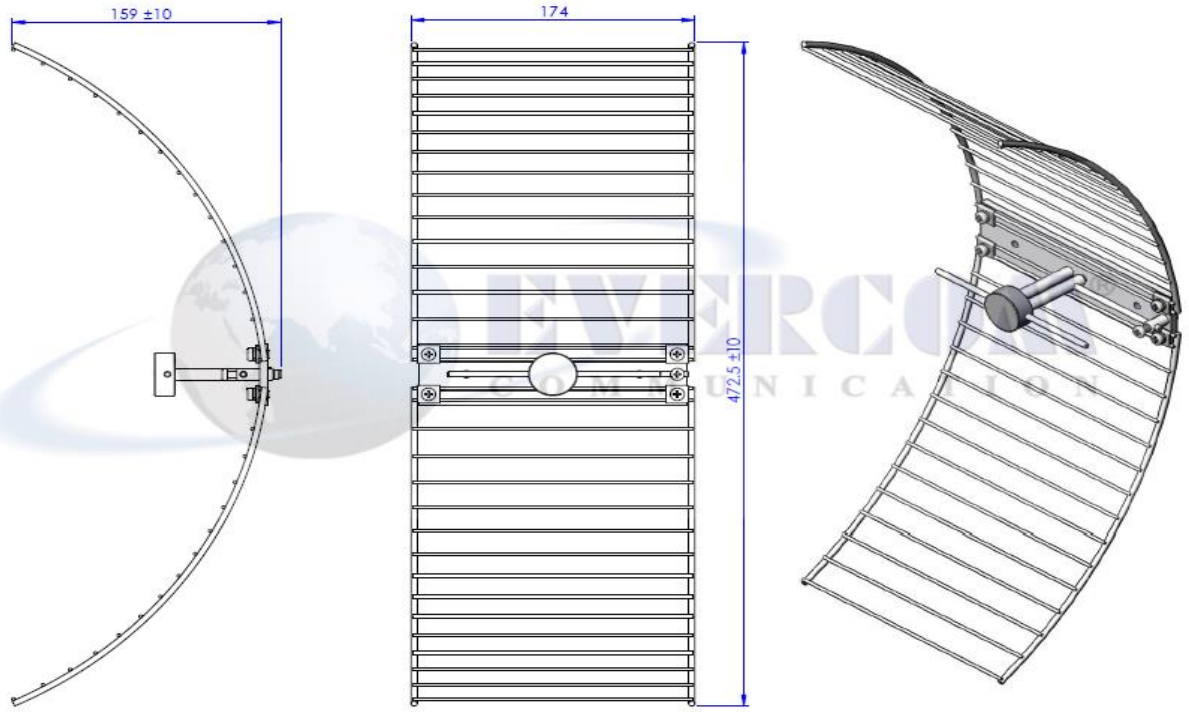
Temperature : -20°C ~ +60°C

Max. Power : 50W

EVERCOM COMMUNICAITON TECHNOLOGY CO., LTD.

No.108 Jiesin St. Taoyuan District Taoyuan City 33063, Taiwan R.O.C.

Tel: +886-3- 376- 5678 Fax: +886-3- 376- 5319 E-Mail: service@evercomtech.com



	EVERCOM COMMUNICATION TECHNOLOGY CO.; LTD			CHECKED BY	APPROVAL BY	DESIGNED BY	SCALE	UNIT
	MODEL NAME		MODEL NO.	YAGI-07	<i>Ben</i> 20170314	C.H.C 2017.03.14	1 : 3	mm

1 Active Ch/Trace 2 Response 3 Stimulus 4 Mkr/Analysis 5 Instr State

Evercom Communication Technology Co.,Ltd.

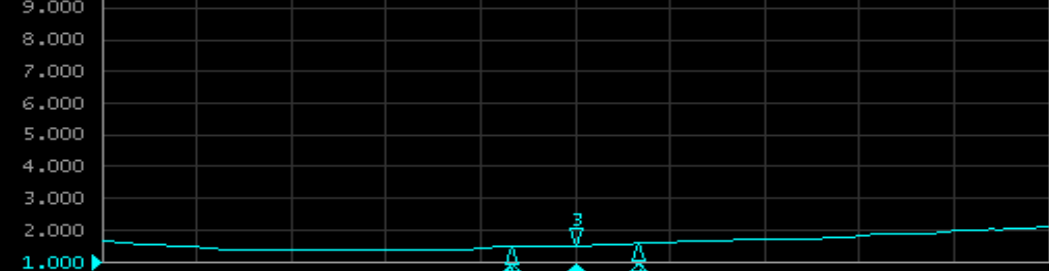
▶ Tr1 S11 Log Mag 10.00dB/ Ref 0.000dB [R0]

1	1.1900000	GHz	-14.563	dB
2	1.2100000	GHz	-13.091	dB
>3	1.2000000	GHz	-14.221	dB



Tr2 S11 SWR 1.000/ Ref 1.000 [R0]

1	1.1900000	GHz	1.4601
2	1.2100000	GHz	1.5692
>3	1.2000000	GHz	1.4830



1 Center 1.2 GHz

IFBW 70 kHz

Span 150 MHz

System

Print

Abort Printing

Printer Setup...

Invert Image
ON

Dump Screen Image...

Multiport Test Set Setup

Misc Setup

Backlight
ON

Firmware Revision

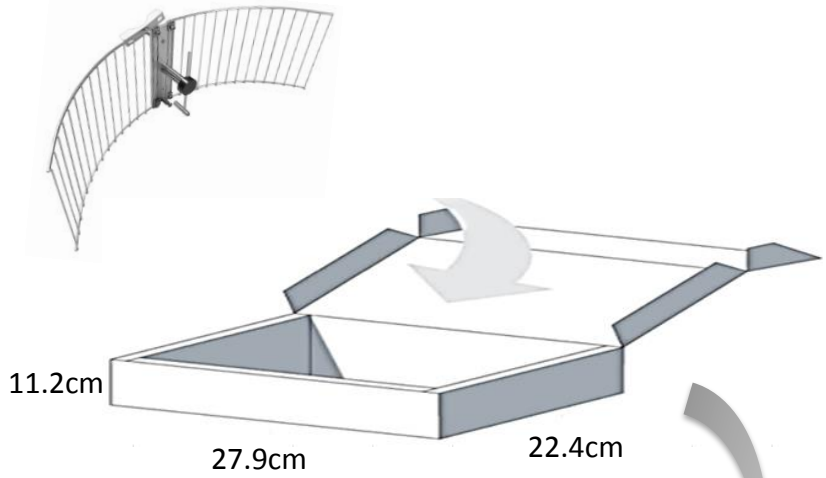
Meas Stop ExtRef Ready Svc 2017-03-14 08:58



The World Wide Leader in Antenna

Packaging

***1 pc Antenna
box / each**



**10 pcs per carton
Carton Dimensions: 60.4*48.4*29.7cm**

