



The World Wide Leader in Antenna

GSM Antenna

YAGI-09/10X

Frequency : 824-960/ 1800/ 1900 MHZ

Gain : 14dB

Connector : FME, Mini-UHF, TNC

V.S.W.R : <1.5:1

Impedance: 50 ohm

Cable : RG58 10M

Length : 855mm

Weight : ≐ 1.3kgs

Material : Aluminum

Polarization : Linear (H) or (V)

Color : Powder Painting

Mounting : YAGI Holder

Temperature : -20°C ~ +60°C

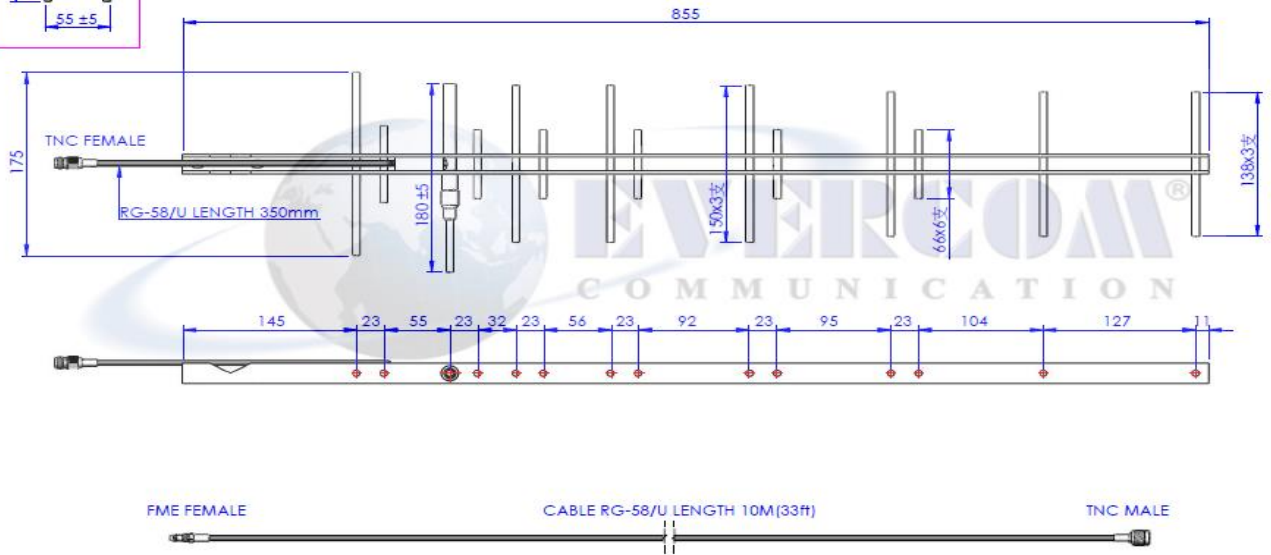
Max. Power : 80W



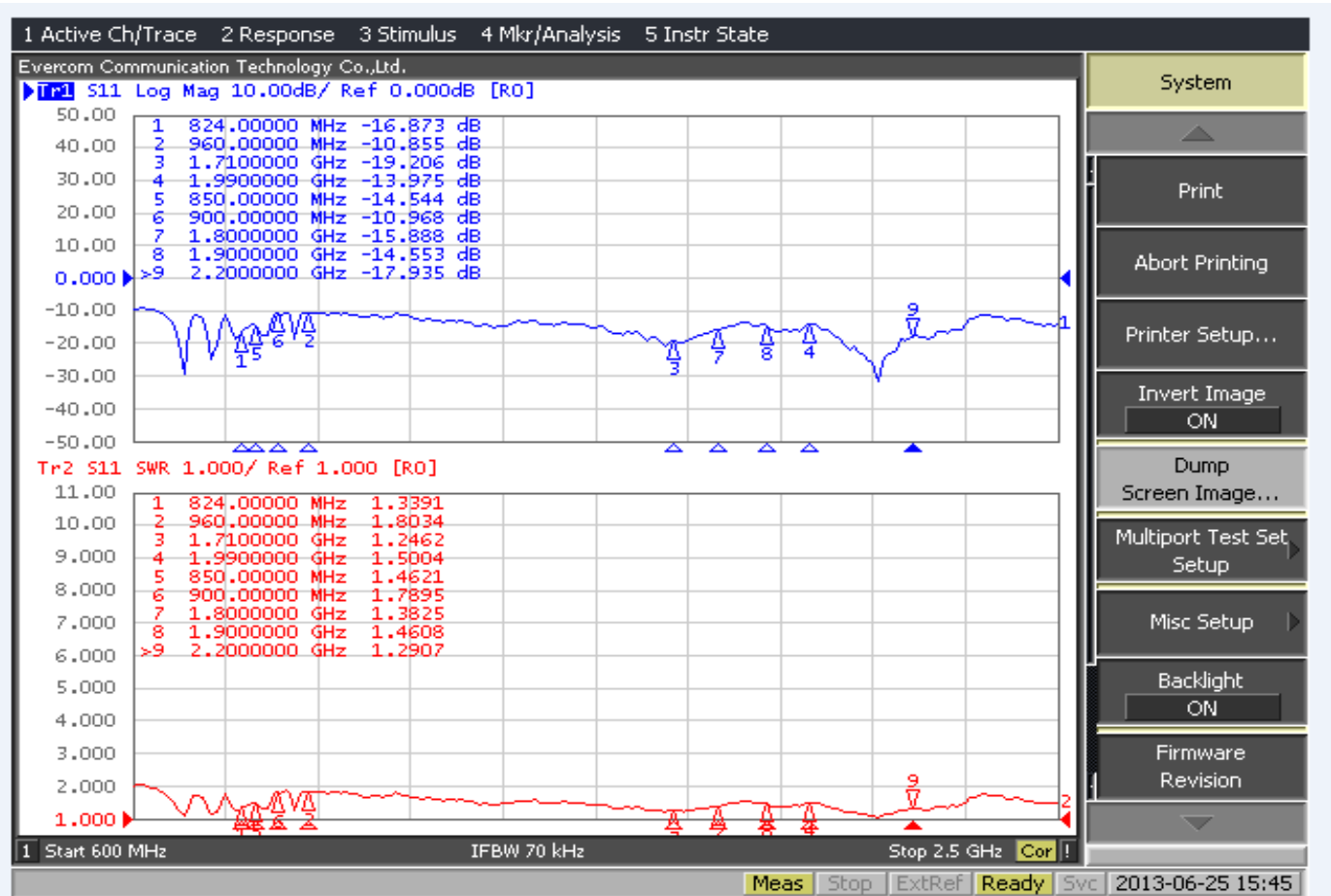
EVERCOM COMMUNICAITON TECHNOLOGY CO., LTD.

No.108 Jiesin St. Taoyuan District Taoyuan City 33063, Taiwan R.O.C.

Tel: +886-3- 376- 5678 Fax: +886-3- 376- 5319 E-Mail: service@evercomtech.com



	EVERCOM COMMUNICATION TECHNOLOGY CO.; LTD		CHECKED BY	APPROVAL BY	DESIGNED BY	SCALE	UNIT
	MODEL NAME	MODEL NO.	YAGI-09/10X	<i>Ben</i>	C.H.C	1 : 4	mm



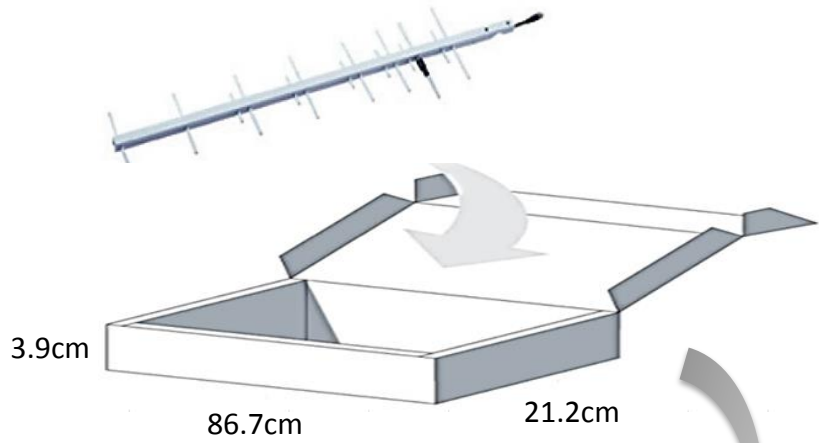
- System
- Print
- Abort Printing
- Printer Setup...
- Invert Image ON
- Dump Screen Image...
- Multiport Test Set Setup
- Misc Setup
- Backlight ON
- Firmware Revision



The World Wide Leader in Antenna

Packaging

***1 pc Antenna
box / each**



**10 pcs per carton
Carton Dimensions: 90*46*26cm**

