



SUB 6G LTE Antenna

LTS-TC-223



Frequency :617-5925/7125MHZ

: 3dBi for cellular, 28dB For
GPS, 27dB for GPS

Connector : SMA/M (Optional)

V.S.W.R : <1.5:1

Impedance : 50 ohm

Cable : RG174/U 3M (Optional)

Length : 115mm

Weight : 60g

Material : ABS

Polarization : Linear (V or H)

Color : Black

Mounting : 3M Tape

Temperature : -10°C to +80°C

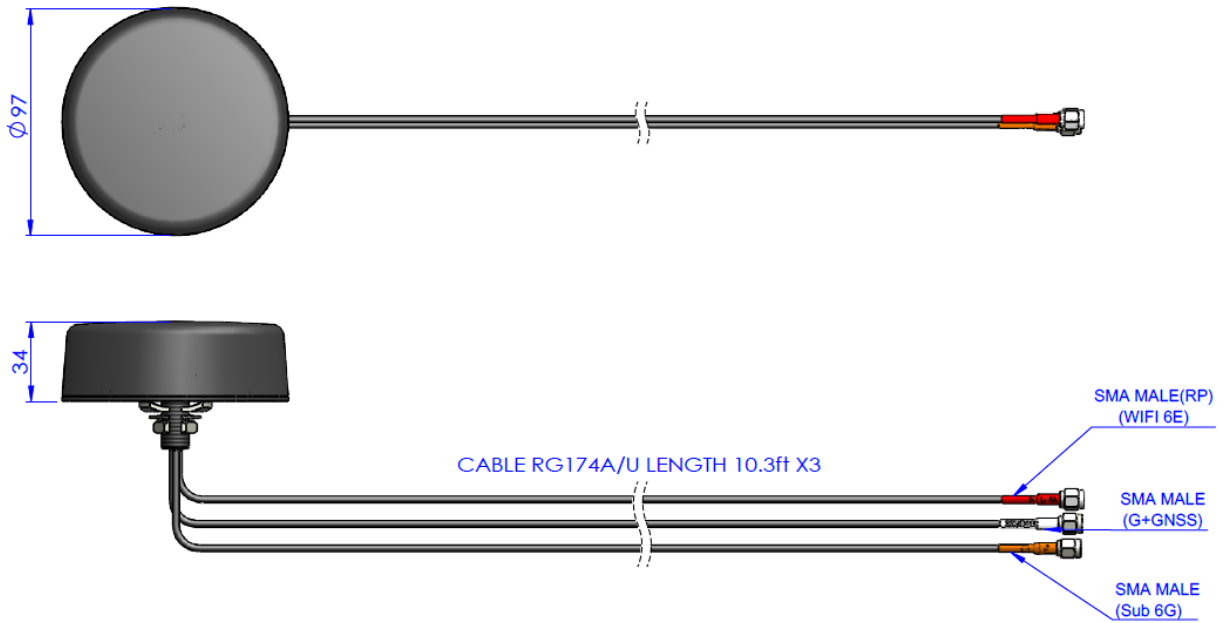
Max. Power: 10W

EVERCOM COMMUNICAITON TECHNOLOGY CO., LTD.

No.108 Jiesin St. Taoyuan District Taoyuan City 33063, Taiwan R.O.C.

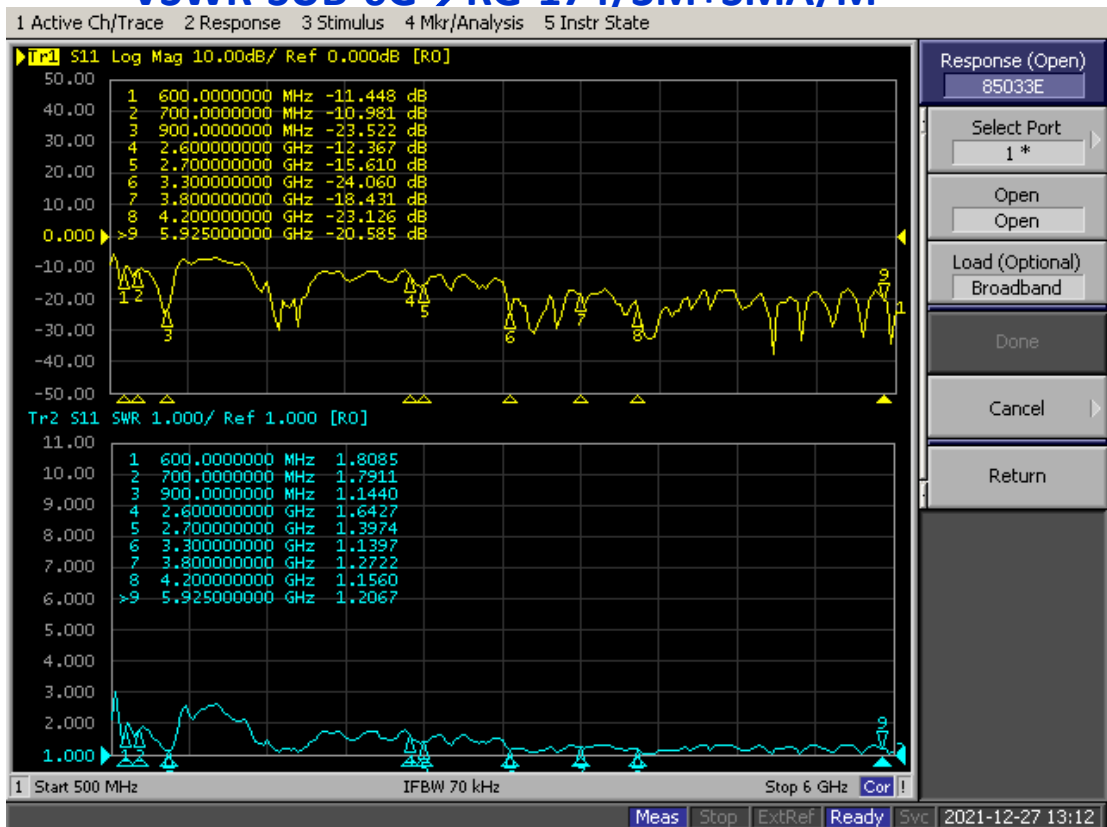
Tel: +886-3- 376- 5678 Fax: +886-3- 376- 5319 E-Mail: service@evercomtech.com

DATE	DESCRIPTION	REV
2022.01.06	First drawing	A

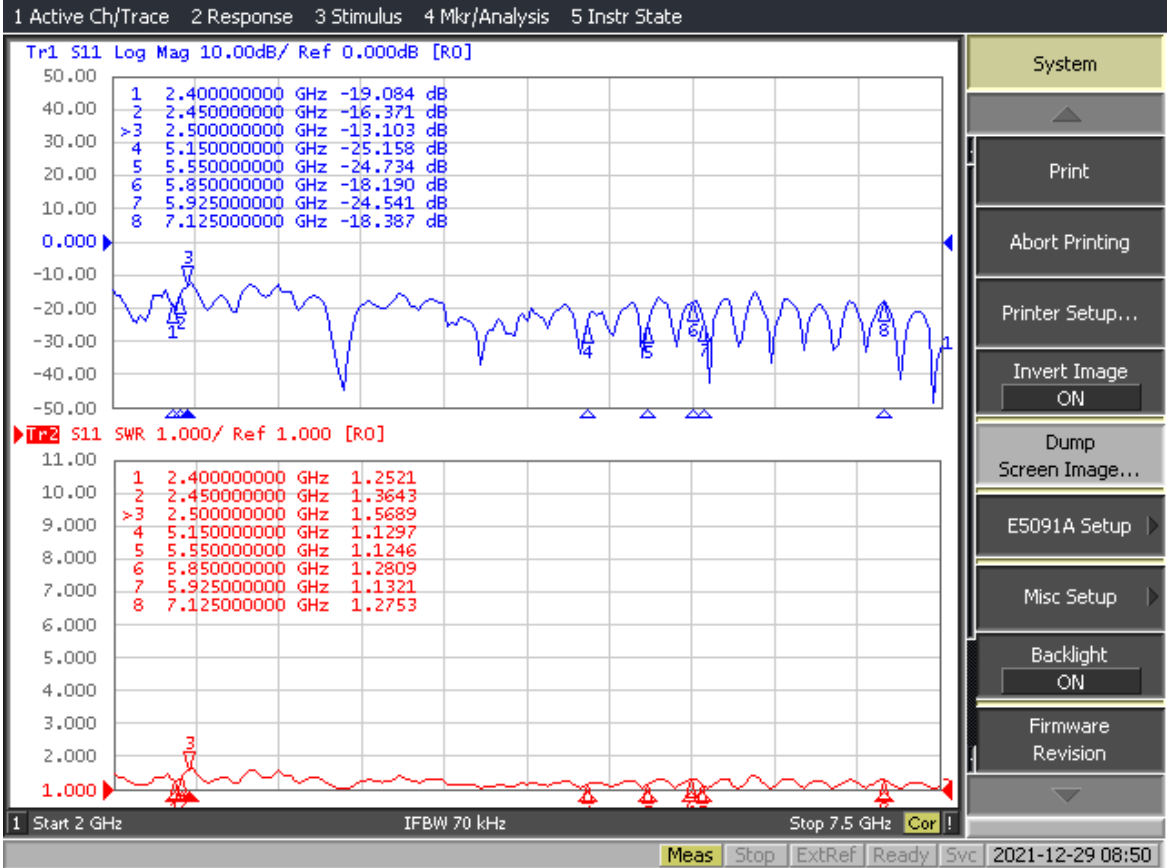


EVERCOM COMMUNICATION TECHNOLOGY CO.; LTD		CHECKED BY	APPROVAL BY	DESIGNED BY	SCALE	UNIT
MODEL NO.	LTS-TC223A2SM3/SMR3			Y.W.C 2022.01.06	1:2	mm

VSWR-SUB-6G→RG-174/3M+SMA/M



VSWR-WIFI-6E → RG-174/3M+SMA/M



System

Print

Abort Printing

Printer Setup...

Invert Image ON

Dump Screen Image...

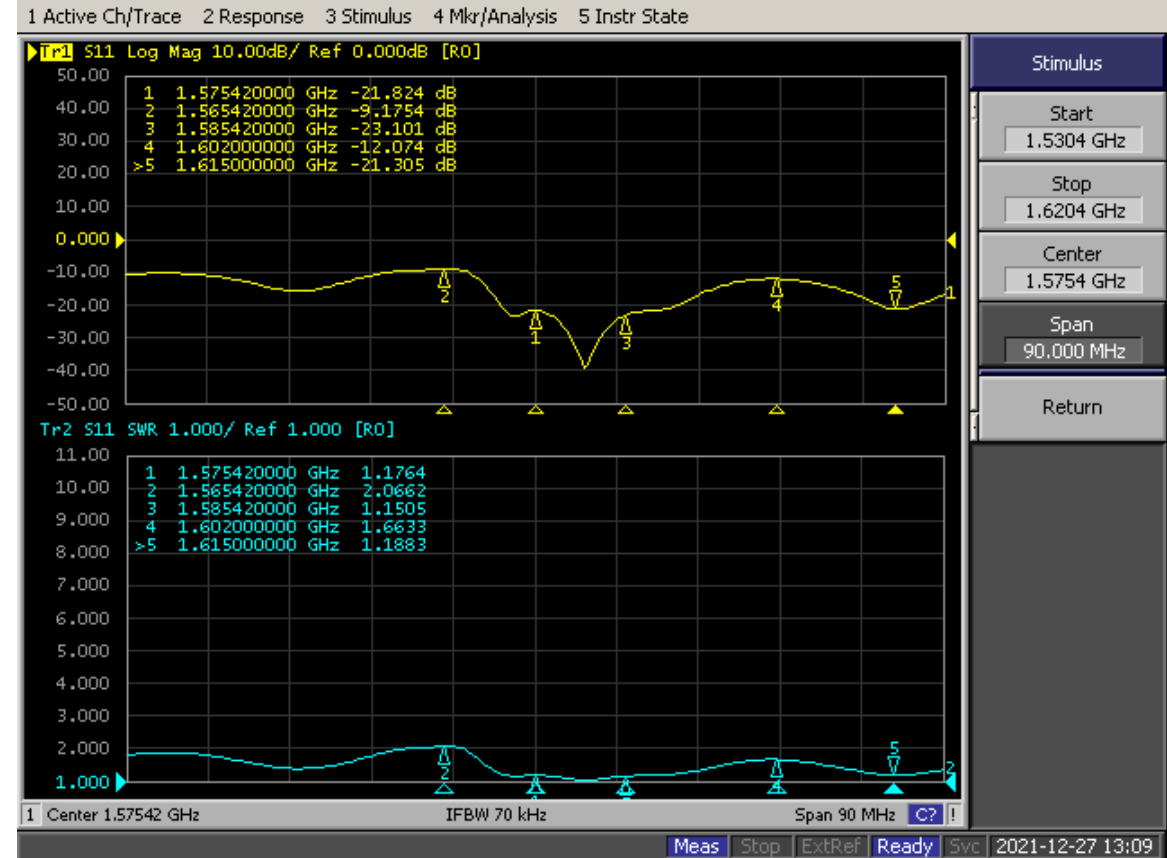
E5091A Setup

Misc Setup

Backlight ON

Firmware Revision

VSWR-GPS+GNSS → RG-174/3M+SMA/M



Stimulus

Start 1.5304 GHz

Stop 1.6204 GHz

Center 1.5754 GHz

Span 90.000 MHz

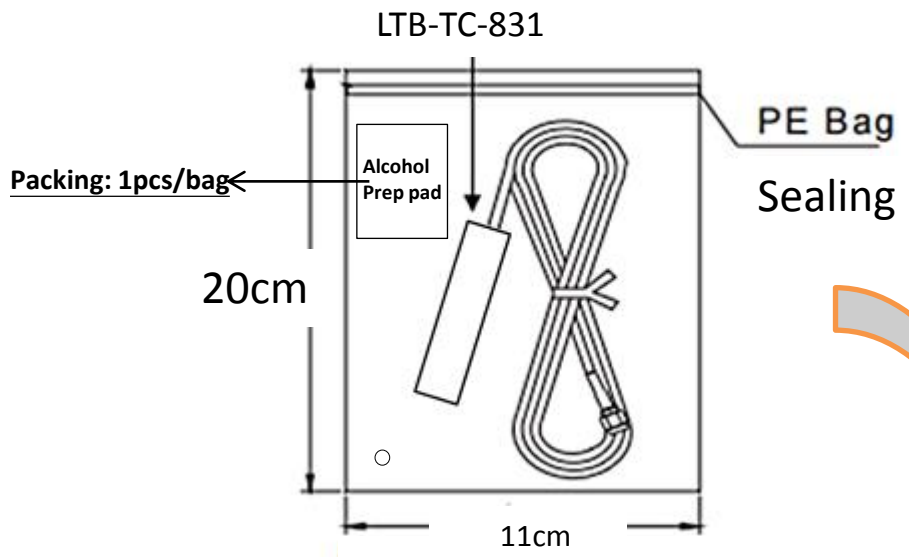
Return



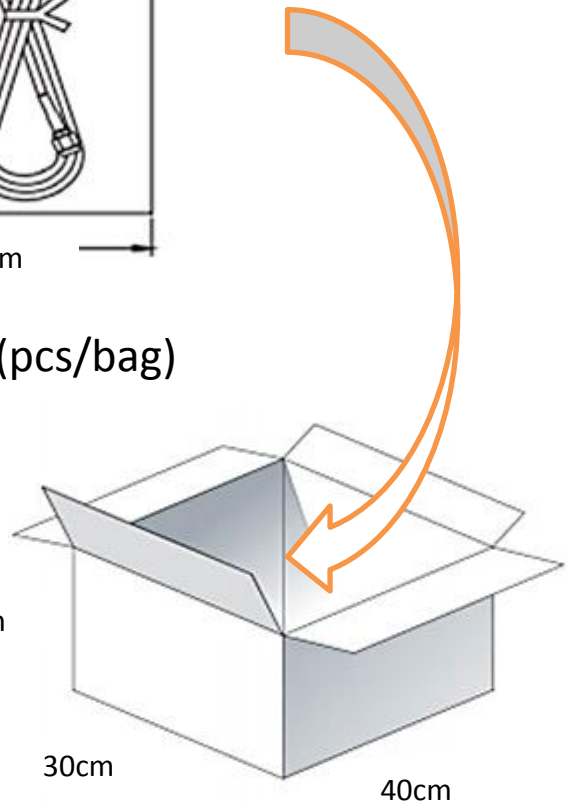
SUB-6G

Packaging

1 pcs antenna PE bag/ each



Packing:1(pcs/bag)



*100 pcs Bulk per carton
Carton Dimensions:40*30*20cm



Antenna Applications

