

**CB &VHF/UHF  
Series**



*The World Wide Leader in Antenna*

# VHF/UHF ANTENNA

## DB-1201



Frequency :144/430MHz

Gain : 3.0dB/ 5.5dB

V.S.W.R : <1.5:1

Impedance : 50 ohm

Max Power : 200W

Mount : M Type

Material : Copper / ABS / SUS

Dimension : 983 x 21mm

Weight : ≐ 250g

Color : White Chrome

Polarization : Vertical

Temperature : -20°C to +60°C

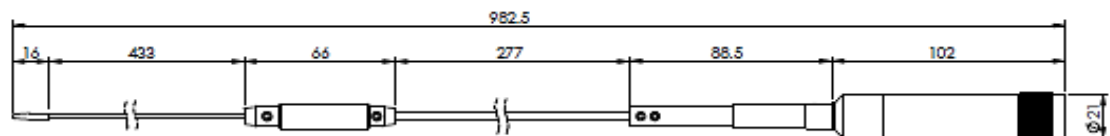
**EVERCOM COMMUNICAITON TECHNOLOGY CO., LTD.**

No.108 Jiesin St. Taoyuan District Taoyuan City 33063, Taiwan R.O.C.

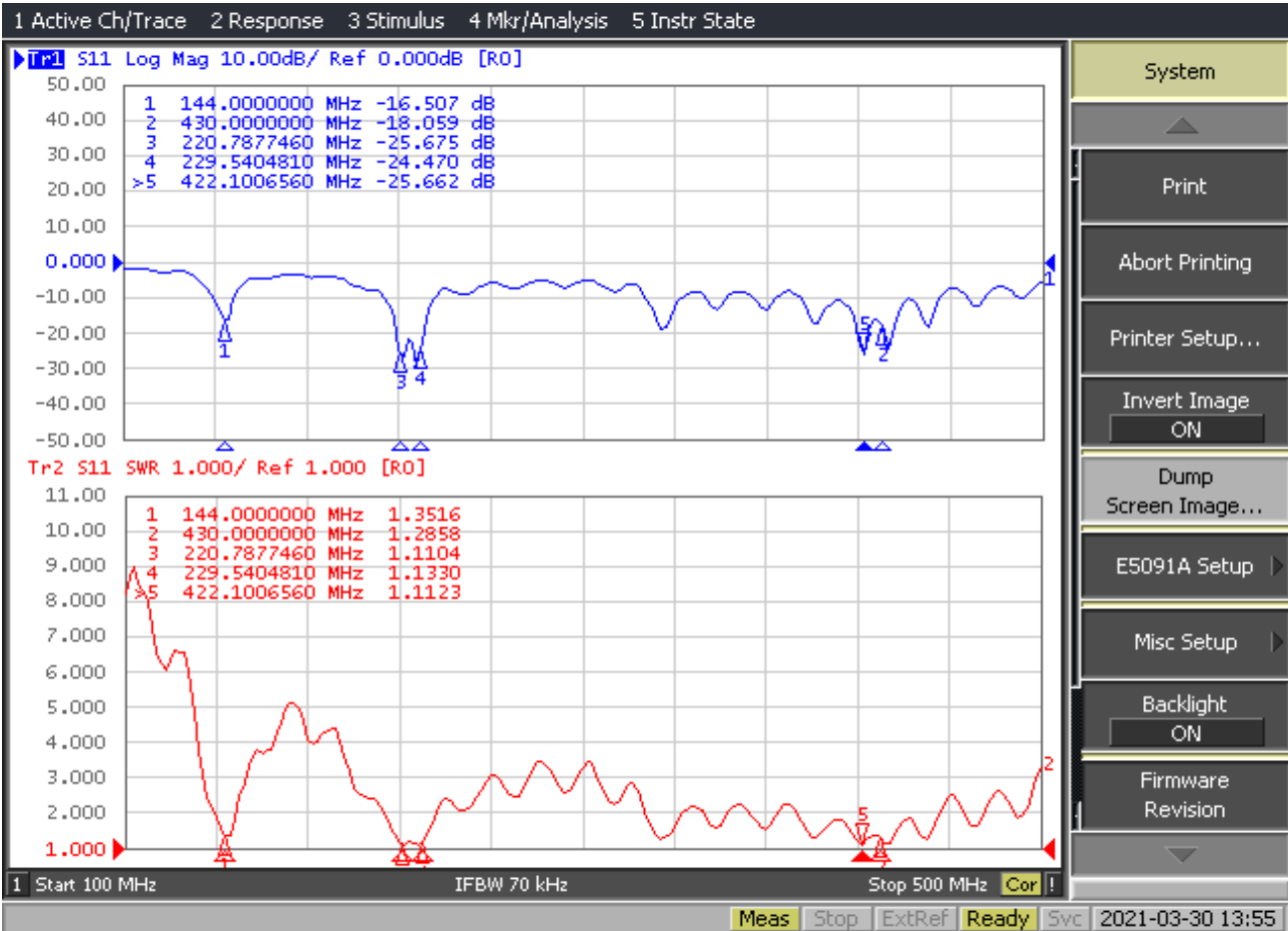
Tel: +886-3-376-5678 Fax: +886-3-376-5319 E-Mail: [service@evercomtech.com](mailto:service@evercomtech.com)



ISO 9001



	EVERCOM COMMUNICATION TECHNOLOGY CO., LTD			CHECKED BY	APPROVAL BY	DESIGNED BY	SCALE	UNIT
	MODEL NAME	MODEL NO.	DB-1201			C.H.C 2009.04.29	1:2	mm



System

Print

Abort Printing

Printer Setup...

Invert Image  
ON

Dump  
Screen Image...

E5091A Setup

Misc Setup

Backlight  
ON

Firmware  
Revision

# CB & VHF/UHF Series

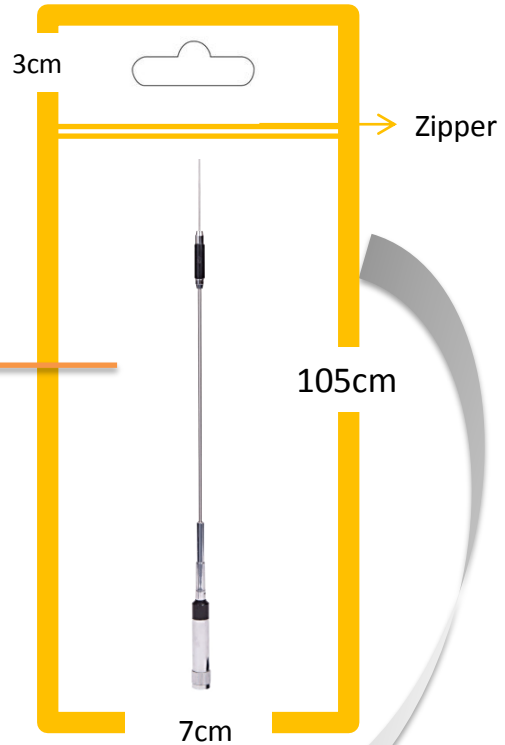


*The World Wide Leader in Antenna*

## Packaging

**\*1 pc Antenna  
PE bag/ each**

**PVC bag**



**50 pcs per carton  
Carton Dimensions:110\*16\*16cm**

