

**CB & VHF/UHF  
Series**



*The World Wide Leader in Antenna*

# VHF/UHF ANTENNA

## DB-201M



Frequency : 340-520MHZ

Gain : 4dB

V.S.W.R. : <1.5:1

Power : 200W

Impedance : 50 Ohms

Material : Copper/ ABS / SUS

Cable : RG58 or CFD195 (Optional)

Weight : 160g

Dimension : 573 x 31 x 3mm

Mount : M type

Polarization : Vertical

Temperature : -30°C to +60°C

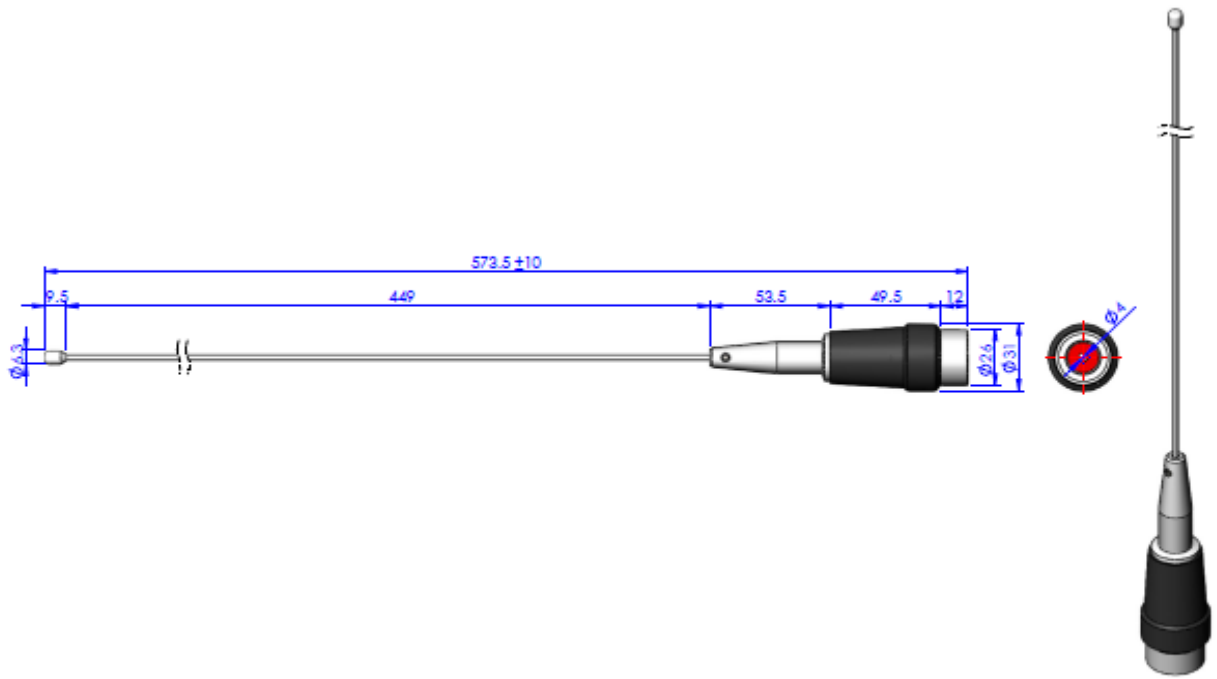
**EVERCOM COMMUNICAITON TECHNOLOGY CO., LTD.**

No.108 Jiesin St. Taoyuan District Taoyuan City 33063, Taiwan R.O.C.

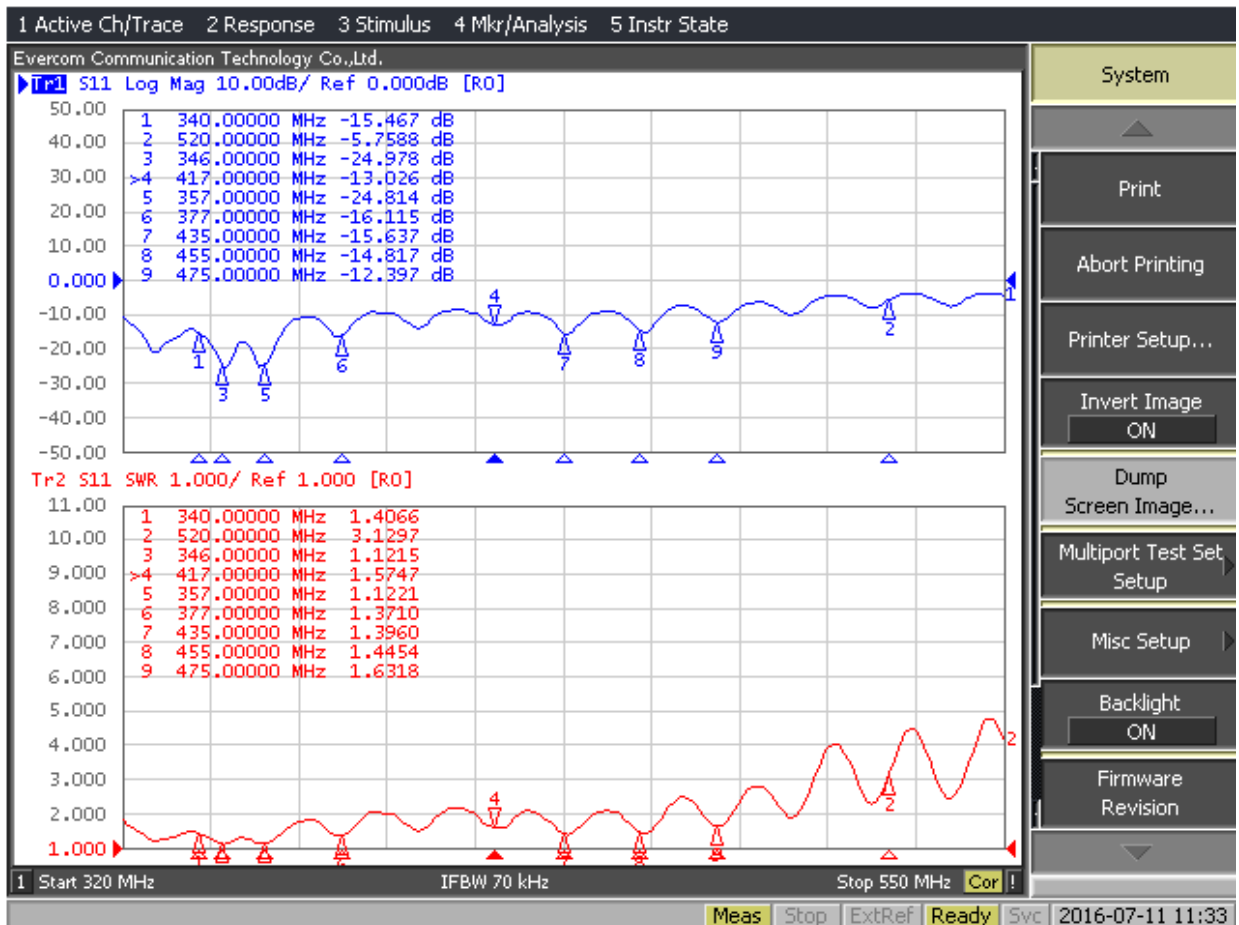
Tel: +886-3- 376- 5678 Fax: +886-3- 376- 5319 E-Mail: [service@evercomtech.com](mailto:service@evercomtech.com)



ISO 9001



	EVERCOM COMMUNICATION TECHNOLOGY CO.; LTD		CHECKED BY	APPROVAL BY	DESIGNED BY	SCALE	UNIT
	MODEL NAME	MODEL NO.	DB-201M		C.H.C	2011.08.25	1 : 2



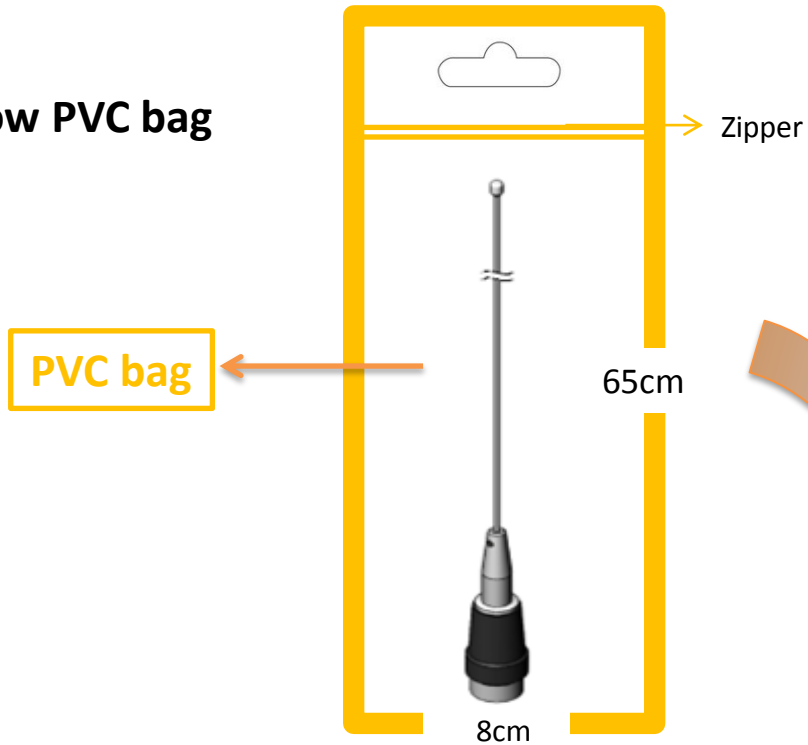
# CB & VHF/UHF Series



The World Wide Leader in Antenna

## Packaging

1 pc Antenna /Yellow PVC bag each



100 PCS Per Carton  
Carton Dimensions:70\*30\*20cm

