

**CB & VHF/UHF
Series**



VHF/UHF ANTENNA

DB-49NMO



Frequency : 450-470 MHZ

Gain : 2.15dB

V.S.W.R : <1.5:1

Power : 100W

Impedance : 50 Ohms

Material : Copper/ ABS / SUS

Cable : N/A

Weight : 200g

Dimension : 335.8 x 35.8 x 6.3 mm

Connector : NMO type

Color : White Chrome

Polarization : Vertical

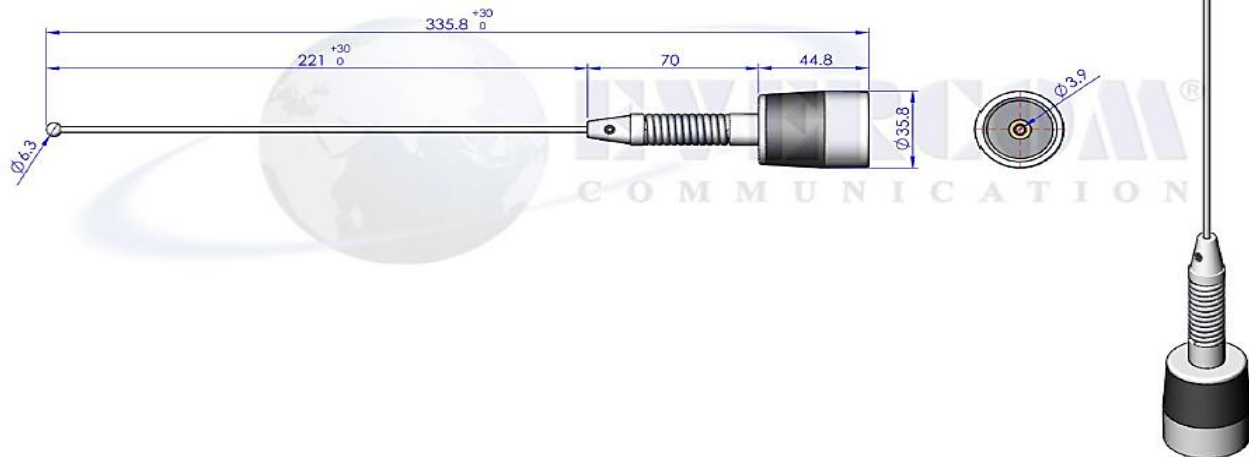
Temperature : -30°C to +60°C

EVERCOM COMMUNICAITON TECHNOLOGY CO., LTD.

No.108 Jiesin St. Taoyuan District Taoyuan City 33063, Taiwan R.O.C.

Tel: +886-3-376-5678 Fax: +886-3-376-5319 E-Mail: service@evercomtech.com



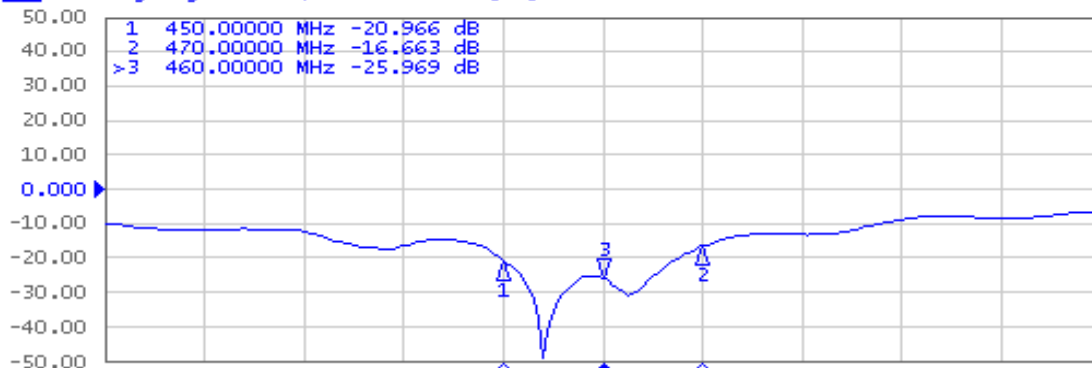


	EVERCOM COMMUNICATION TECHNOLOGY CO.; LTD			CHECKED BY	APPROVAL BY	DESIGNED BY	SCALE	UNIT
	MODEL NAME		MODEL NO.	DB-49NMO		<i>Ben</i> 20130710	C.H.C 2013.07.09	1 : 2

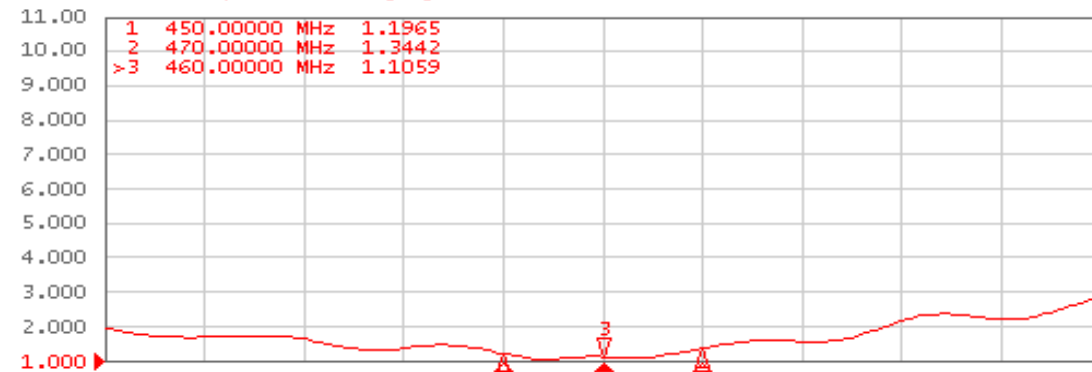
1 Active Ch/Trace 2 Response 3 Stimulus 4 Mkr/Analysis 5 Instr State

Evercom Communication Technology Co.,Ltd.

▶ Tr2 S11 Log Mag 10.00dB/ Ref 0.000dB [R0]



Tr2 S11 SWR 1.000/ Ref 1.000 [R0]



1 Center 460 MHz

IFBW 70 kHz

Span 100 MHz

Cor

System

Print

Abort Printing

Printer Setup...

Invert Image

ON

Dump
Screen Image...

Multiport Test Set
Setup

Misc Setup

Backlight

ON

Firmware

Revision

CB & VHF/UHF Series



Packaging

***1 pc Antenna PE package/
each**

***50 pcs PE bag/ per carton
Carton Dimensions: 40*30*15cm**

