

**CB &VHF/UHF
Series**



The World Wide Leader in Antenna

VHF/UHF ANTENNA

DB-85D



Frequency : 25-1900Mhz

V.S.W.R : <1.5:1

Gain : 2.15dB

Impedance : 50 Ohm

Connector : BNC Male (Optional)

Cable : 3M of RG174 (Optional)

Material : Copper/ ABS / SUP

Mount : Magnet Type

Weight : 70g

Dimension : 447x29x4mm

Polarization : Vertical

Max Power : 10W

Temperature : -20°C to +60°C

EVERCOM COMMUNICAITON TECHNOLOGY CO., LTD.

No.108 Jiesin St. Taoyuan District Taoyuan City 33063, Taiwan R.O.C.

Tel: +886-3-376-5678 Fax: +886-3-376-5319 E-Mail: service@evercomtech.com

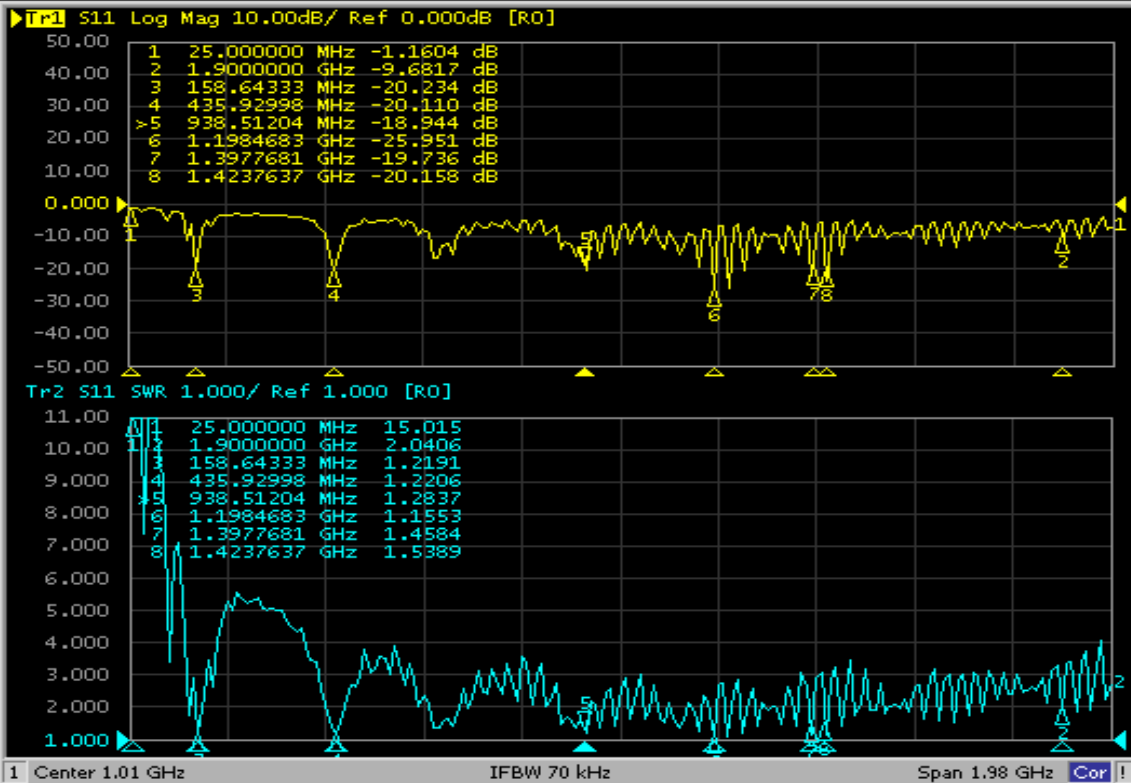


ISO 9001



EVERCOM COMMUNICATION TECHNOLOGY CO; LTD		CHECKED BY	APPROVAL BY	DESIGNED BY	SCALE	UNIT
MODEL NAME	MODEL NO.		<i>Ben</i>	<i>C.H.C</i>	1 : 2	mm
	DB-85DBNC-M3		20130114	2013.01.08		

1 Active Ch/Trace 2 Response 3 Stimulus 4 Mkr/Analysis 5 Instr State



System

Print

Abort Printing

Printer Setup...

Invert Image ON

Dump Screen Image...

Multiport Test Set Setup

Misc Setup

Backlight ON

Firmware Revision

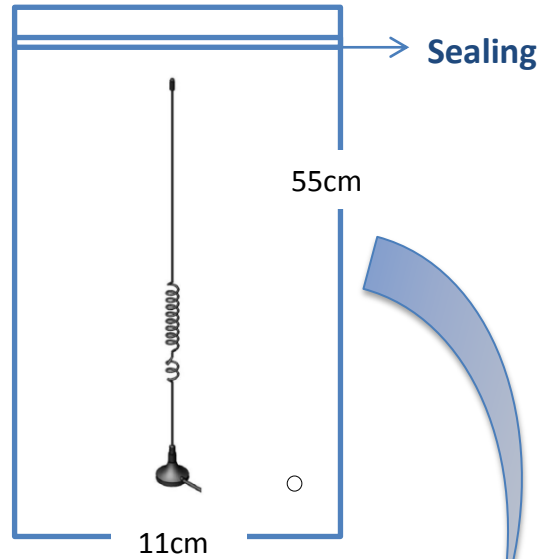
CB & VHF/UHF Series



The World Wide Leader in Antenna

Packaging

***1 pc Antenna PE bag/ each**



***50 pcs Bulk /per Carton
Dimensions: 70*40*15cm**

