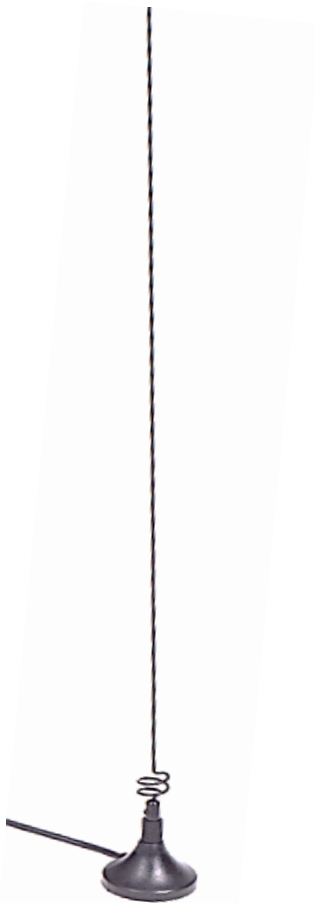


**CB &VHF/UHF  
Series**



# VHF/UHF ANTENNA **DB-87D**



Frequency : 144-430MHZ

Gain : 2.15 dB

V.S.W.R : <2.0:1

Impedance: 50 ohm

Connector : SMA (Optional)

Cable : 3meter of RG174 (Optional)

Material : ABS

Weight: 60g

Dimension : 483x29x3 mm

Mount: Magnetic

Polarization: Vertical

Temperature:-20°C to +60°C

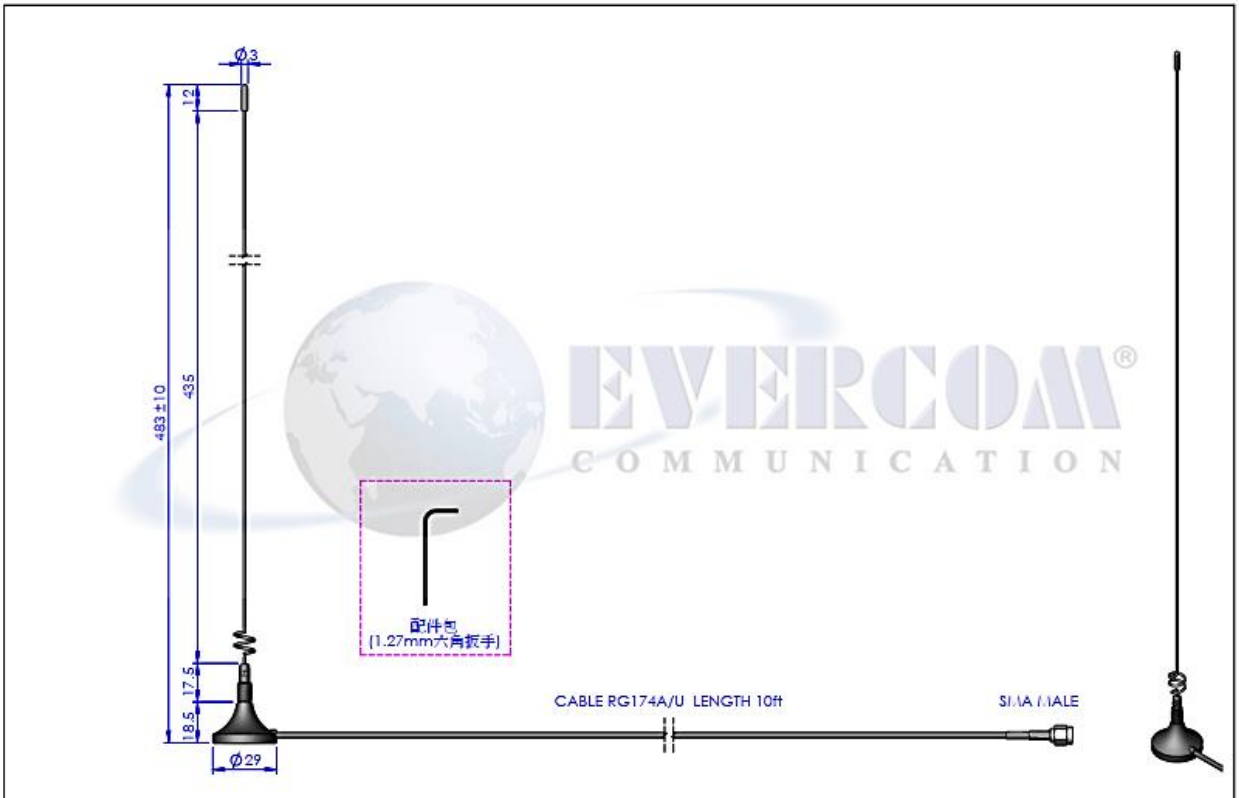
**EVERCOM COMMUNICAITON TECHNOLOGY CO., LTD.**

No.108 Jiesin St. Taoyuan District Taoyuan City 33063, Taiwan R.O.C.

Tel: +886-3-376-5678 Fax: +886-3-376-5319 E-Mail: [service@evercomtech.com](mailto:service@evercomtech.com)

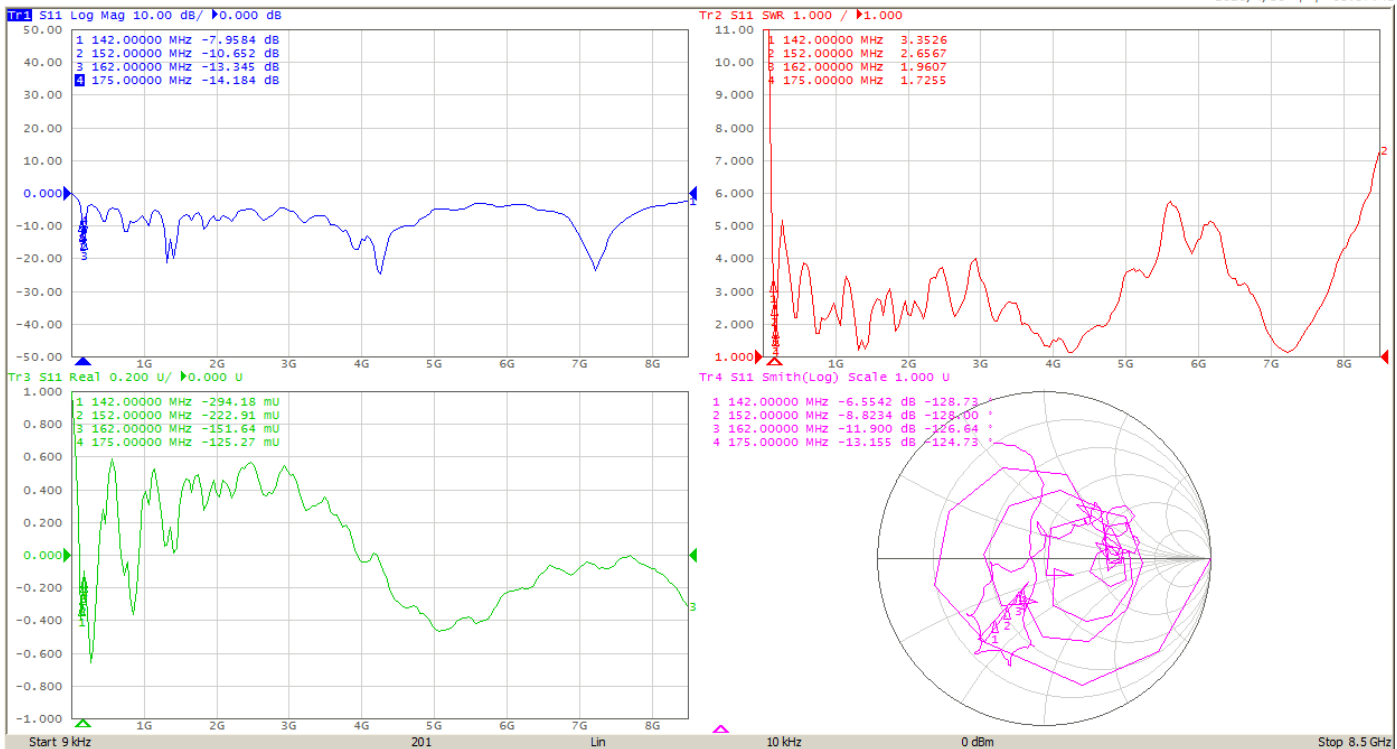


ISO 9001



	EVERCOM COMMUNICATION TECHNOLOGY CO.; LTD			CHECKED BY	APPROVAL BY	DESIGNED BY	SCALE	UNIT
	MODEL NAME	MODEL NO.	DB-87DSMA-M3		<i>Ben</i> 20151113	C.H.C 2015.11.12	1 : 2	mm

2020/4/30 下午 03:57:42

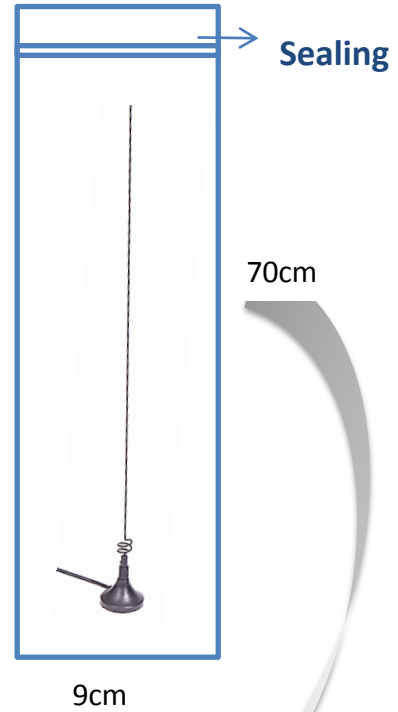


# CB & VHF/UHF Series



## Packaging

**\*1 pc Antenna  
PE bag/ each**



**100 pcs per carton=7kg  
Carton Dimensions:40\*30\*20cm**

