

**CB & VHF/UHF
Series**



VHF/UHF ANTENNA

DB-V366W



Frequency : 132-174MHz

Gain : 4 dB

Impedance : 50 Ohms

Power : 200W

V.S.W.R : <1.5:1

Material : Copper / ABS / SUS

Weight: 150 g

Dimension : 1457x37.2x5mm

Mount: NMO

Color : White Chrome

Polarization: Vertical

Temperature : -20° C to +60° C

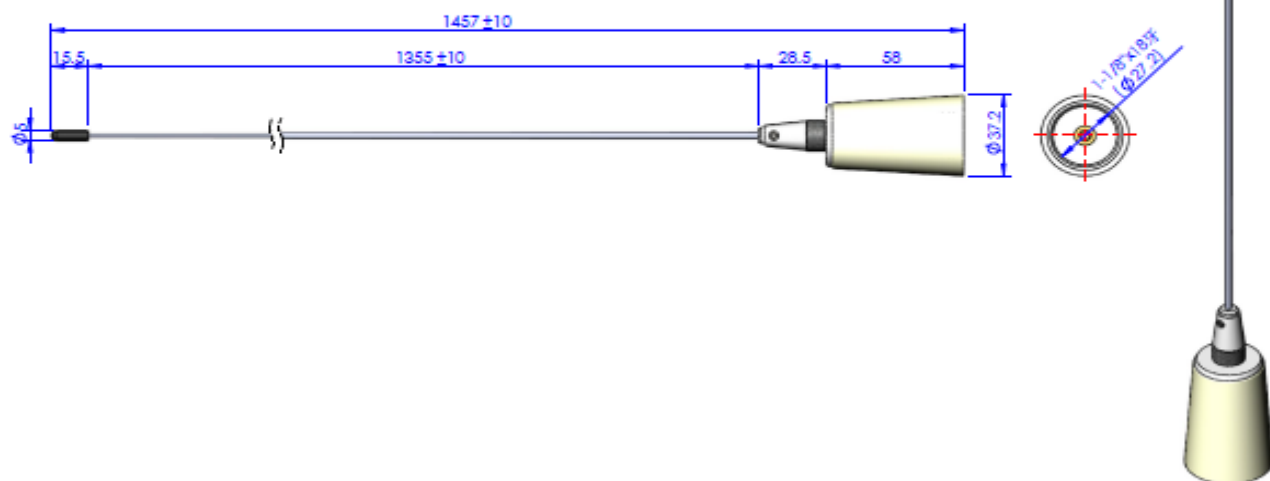
EVERCOM COMMUNICAITON TECHNOLOGY CO., LTD.

No.108 Jiesin St. Taoyuan District Taoyuan City 33063, Taiwan R.O.C.

Tel: +886-3-376-5678 Fax: +886-3-376-5319 E-Mail: service@evercomtech.com



ISO 9001

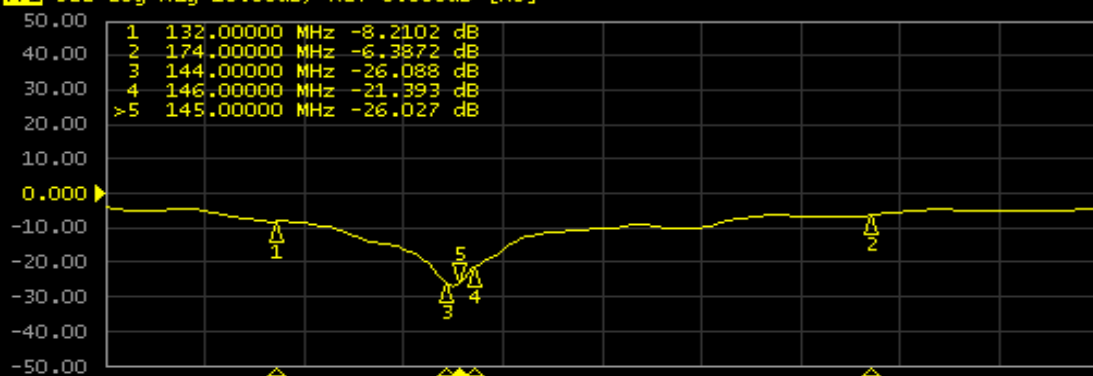


	EVERCOM COMMUNICATION TECHNOLOGY CO.; LTD		CHECKED BY	APPROVAL BY	DESIGNED BY	SCALE	UNIT
	MODEL NAME	MODEL NO.	DB-V366W/NMO		C.H.C	2012.08.21	1 : 2

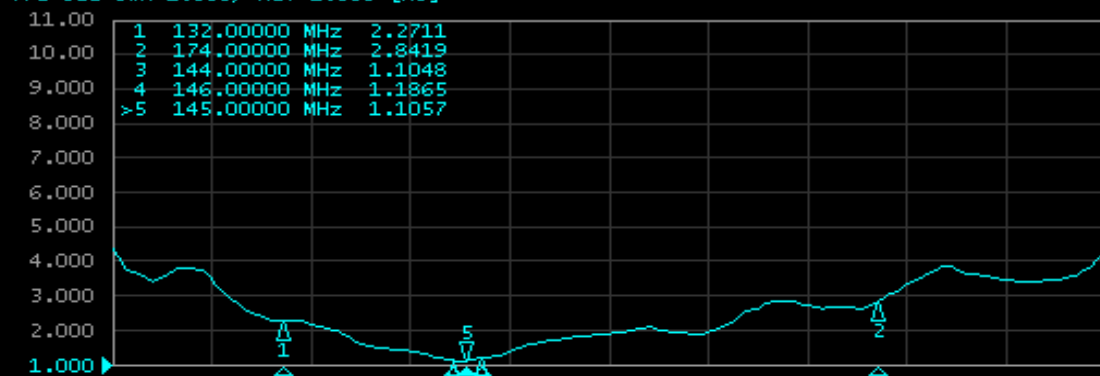
1 Active Ch/Trace 2 Response 3 Stimulus 4 Mkr/Analysis 5 Instr State

Evercom Communication Technology Co., Ltd.

▶ Tr1 S22 Log Mag 10.00dB/ Ref 0.000dB [R0]



Tr2 S22 SWR 1.000/ Ref 1.000 [R0]



1 Start 120 MHz IFBW 70 kHz Stop 190 MHz Cor !

System

Print

Abort Printing

Printer Setup...

Invert Image
ON

Dump
Screen Image...

Multiport Test Set
Setup

Misc Setup

Backlight
ON

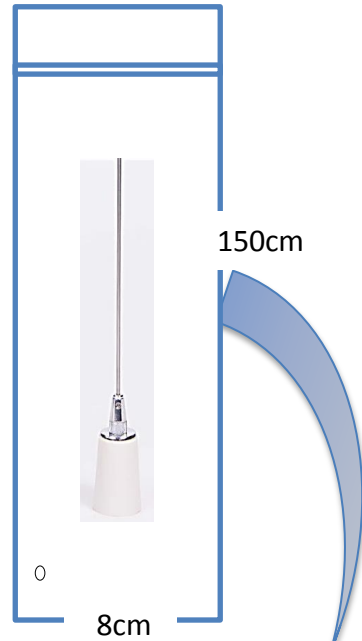
Firmware
Revision

CB & VHF/UHF Series

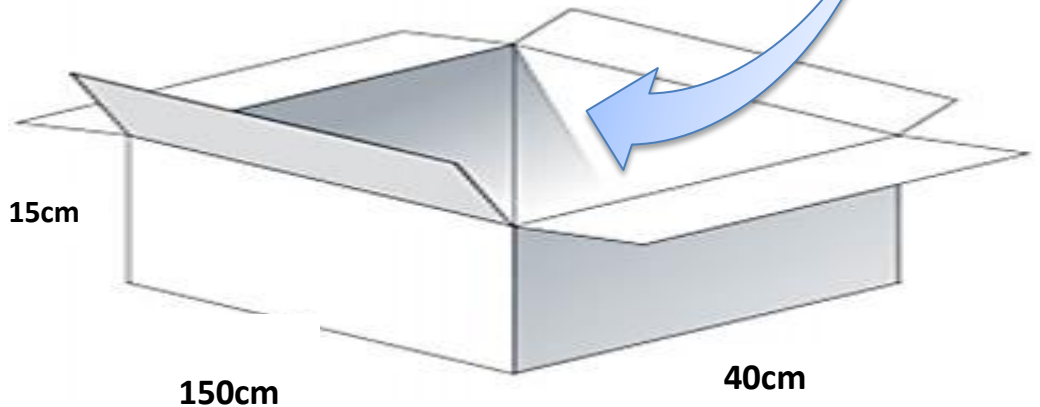


Packaging

*1 pc Antenna PE package/ each



*50 pcs PE bag/ per carton
Carton Dimensions: 150*30*15cm



ISO 9001