

## CB & VHF/UHF Series



*The World Wide Leader in Antenna*

# VHF/UHF ANTENNA

## DB-1239B



Frequency : 144/430Mhz

Gain : 3.15dB

V.S.W.R. : <1.5:1

Power : 100W

Connector : M Type

Impedance : 50 Ohms

Material : Copper/Stainless

Weight : 110g

Dimension : 715 x 4 x 3mm

Color : Black Chrome

Polarization : Vertical

Temperature : -30°C to +60°C

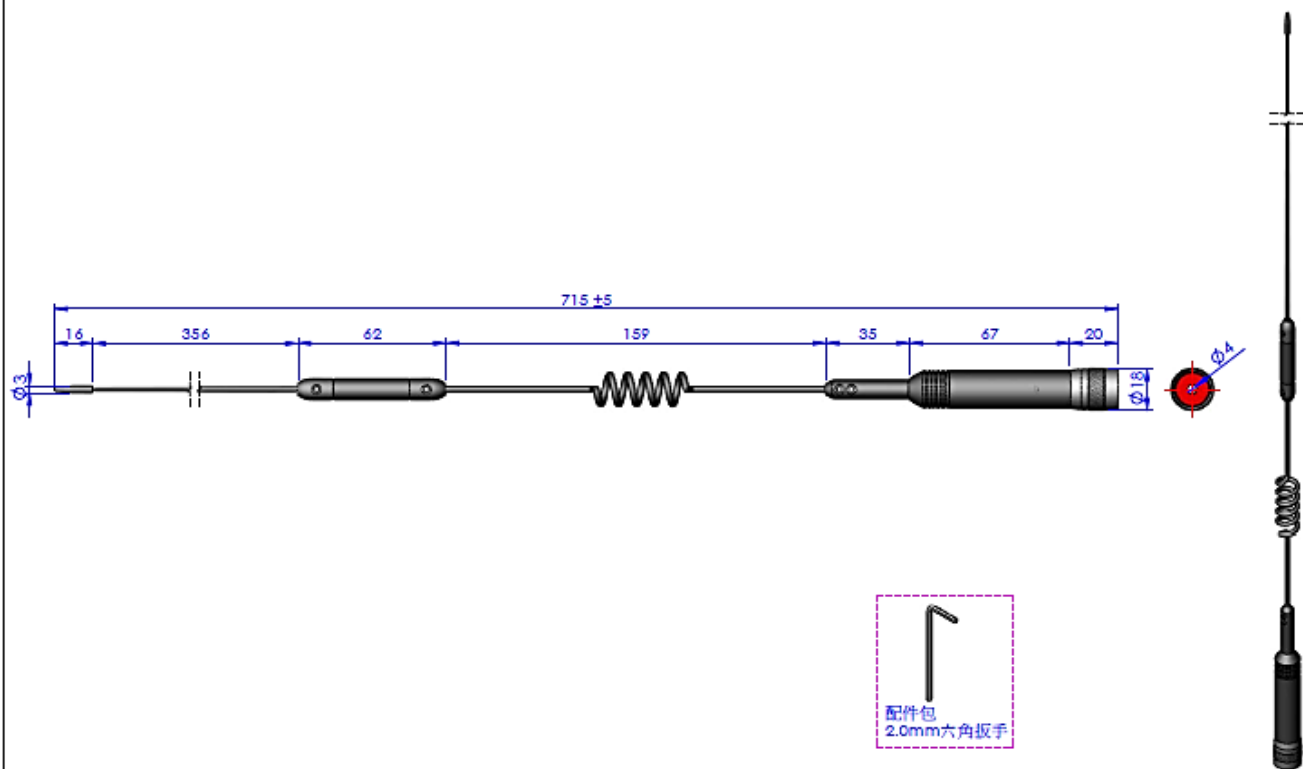
**EVERCOM COMMUNICAITON TECHNOLOGY CO., LTD.**

No.108 Jiesin St. Taoyuan District Taoyuan City 33063, Taiwan R.O.C.

Tel: +886-3-376-5678 Fax: +886-3-376-5319 E-Mail: [service@evercomtech.com](mailto:service@evercomtech.com)



ISO 9001



	EVERCOM COMMUNICATION TECHNOLOGY CO., LTD			CHECKED BY	APPROVAL BY	DESIGNED BY	SCALE	UNIT
	MODEL NAME	MODEL NO.	DB-1239B		<i>Ben</i> 20160629	C.H.C 2016.04.28	1 : 2	mm

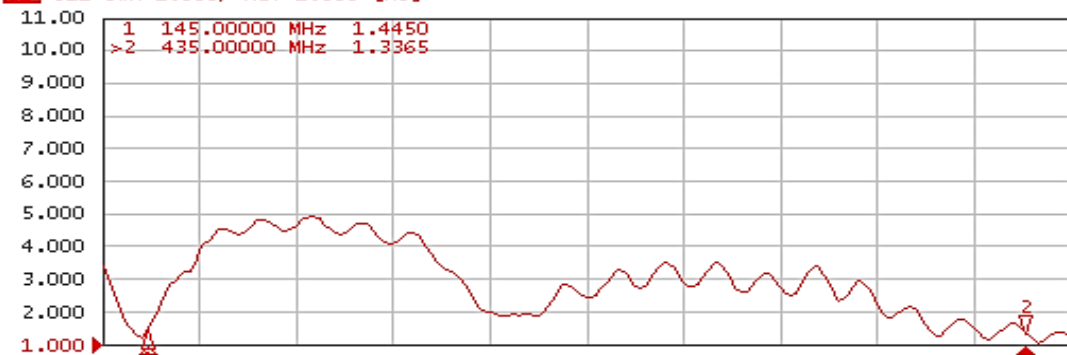
1 Active Ch/Trace 2 Response 3 Stimulus 4 Mkr/Analysis 5 Instr State

Evercom Communication Technology Co., Ltd.

Tr1 S11 Log Mag 10.00dB/ Ref 0.000dB [R0 Smo]



Tr2 S11 SWR 1.000/ Ref 1.000 [R0]



1 Start 130 MHz IFBW 100 kHz Stop 450 MHz 16/16 Cor |

Meas Stop ExtRef Ready Svc 2016-08-08 13:25

- System
- ▲
- Print
- Abort Printing
- Printer Setup...
- Invert Image  
ON
- Dump  
Screen Image...
- Multiport Test Set  
Setup
- Misc Setup
- Backlight  
ON
- Firmware  
Revision
- ▼



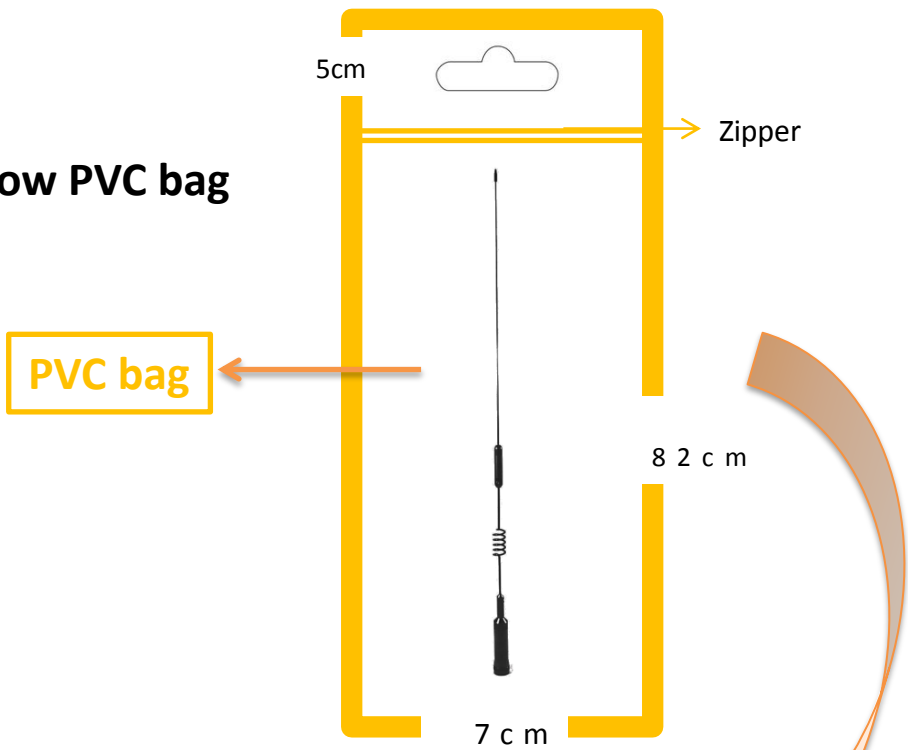
# CB & VHF/UHF Series



*The World Wide Leader in Antenna*

## Packaging

1 pcs Antenna /Yellow PVC bag each



25 PCS Per Carton  
Carton Dimensions:86\*20\*21cm

