

**CB & VHF/UHF  
Series**



*The World Wide Leader in Antenna*

# VHF/UHF ANTENNA

## DB-169 VHF/NMO

Frequency : 132~174Mhz

Gain : 2.15dB

V.S.W.R : <1.2:1

Max Power: 200W

Impedance : 50 Ohm

Material : ABS/SUP

Mount: NMO, Magnet, Screw (Optional)

Connector: PL259,NF(Optional)

Weight: 100g

Dimension : 400m x 36 x 6.3mm

Color : White Chrome

Polarization: Vertical

Temperature:-20°C to +60°C



**EVERCOM COMMUNICAITON TECHNOLOGY CO., LTD.**

No.108 Jiesin St. Taoyuan District Taoyuan City 33063, Taiwan R.O.C.

Tel: +886-3-376-5678 Fax: +886-3-376-5319 E-Mail: [service@evercomtech.com](mailto:service@evercomtech.com)

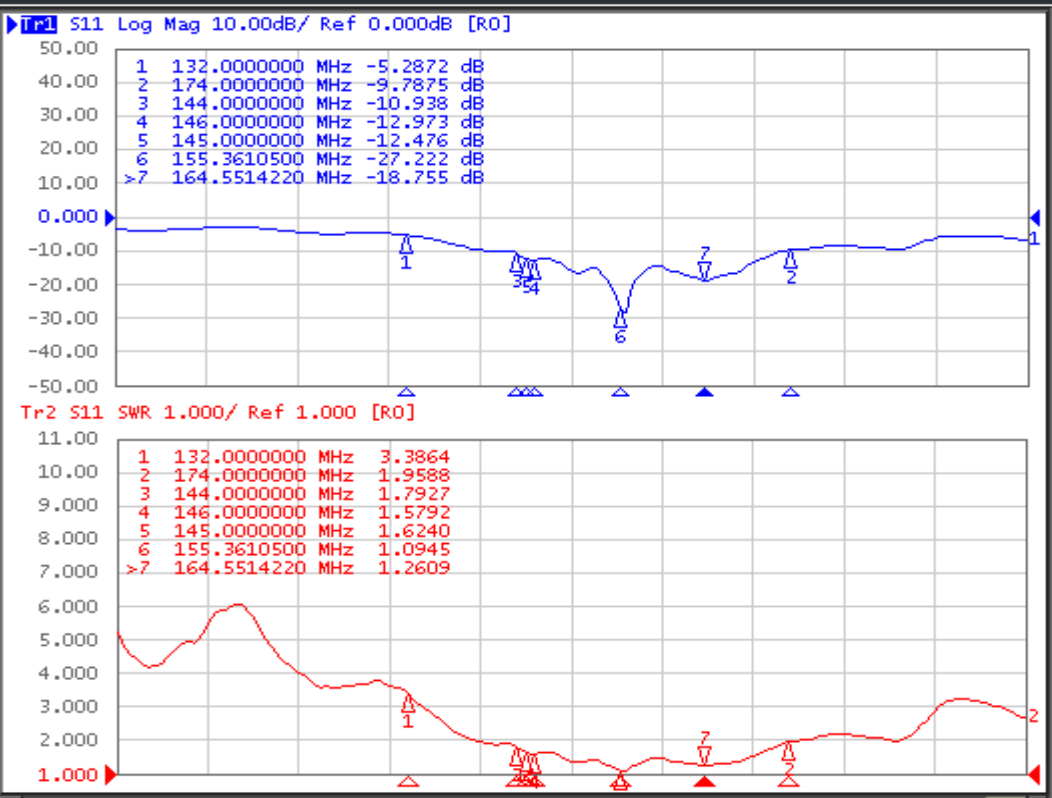


ISO 9001



	EVERCOM COMMUNICATION TECHNOLOGY CO.; LTD		CHECKED BY	APPROVAL BY	DESIGNED BY	SCALE	UNIT
	MODEL NAME	MODEL NO.	DB-169VHF/NMO		Ben 20180601	C.H.C 2018.05.29	1:2

1 Active Ch/Trace 2 Response 3 Stimulus 4 Mkr/Analysis 5 Instr State



System

Print

Abort Printing

Printer Setup...

Invert Image ON

Dump Screen Image...

E5091A Setup

Misc Setup

Backlight ON

Firmware Revision

1 Start 100 MHz IFBW 70 kHz Stop 200 MHz Cor Meas Stop ExtRef Ready Svc 2020-08-26 09:45

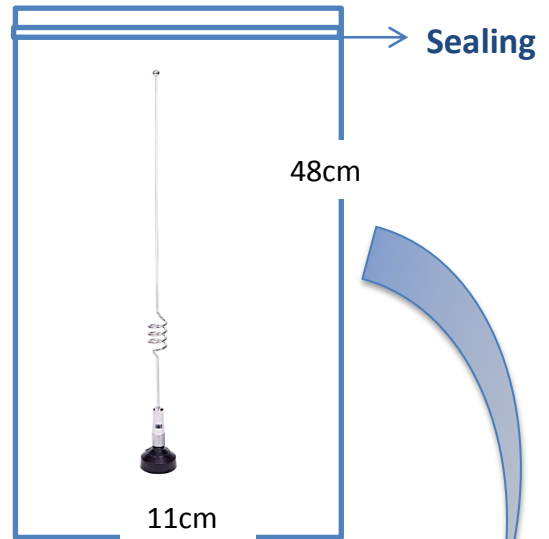
# CB & VHF/UHF Series



*The World Wide Leader in Antenna*

## Packaging

**\*1 pcs Antenna PE bag/ each**



**\*25 pcs Bulk /per Carton  
Dimensions:50\*30\*20cm**

