

**CB & VHF/UHF
Series**



The World Wide Leader in Antenna

VHF/UHF ANTENNA

DB-3230



Frequency : 132-174MHz

Gain : 2.5 dB

Impedance : 50 Ohms

Power : 10W

V.S.W.R : <1.5:1

Material : Copper

Weight: 64 g

Mount : BNC

Color : White Chrome

Dimension: 287 x 13.8 x 10mm

Polarization: Vertical

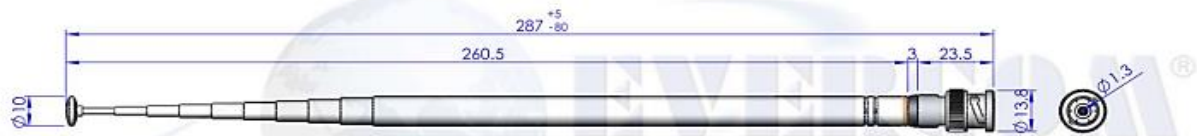
Temperature : -20° C to +60° C

EVERCOM COMMUNICAITON TECHNOLOGY CO., LTD.

No.108 Jiesin St. Taoyuan District Taoyuan City 33063, Taiwan R.O.C.

Tel: +886-3-376-5678 Fax: +886-3-376-5319 E-Mail: service@evercomtech.com

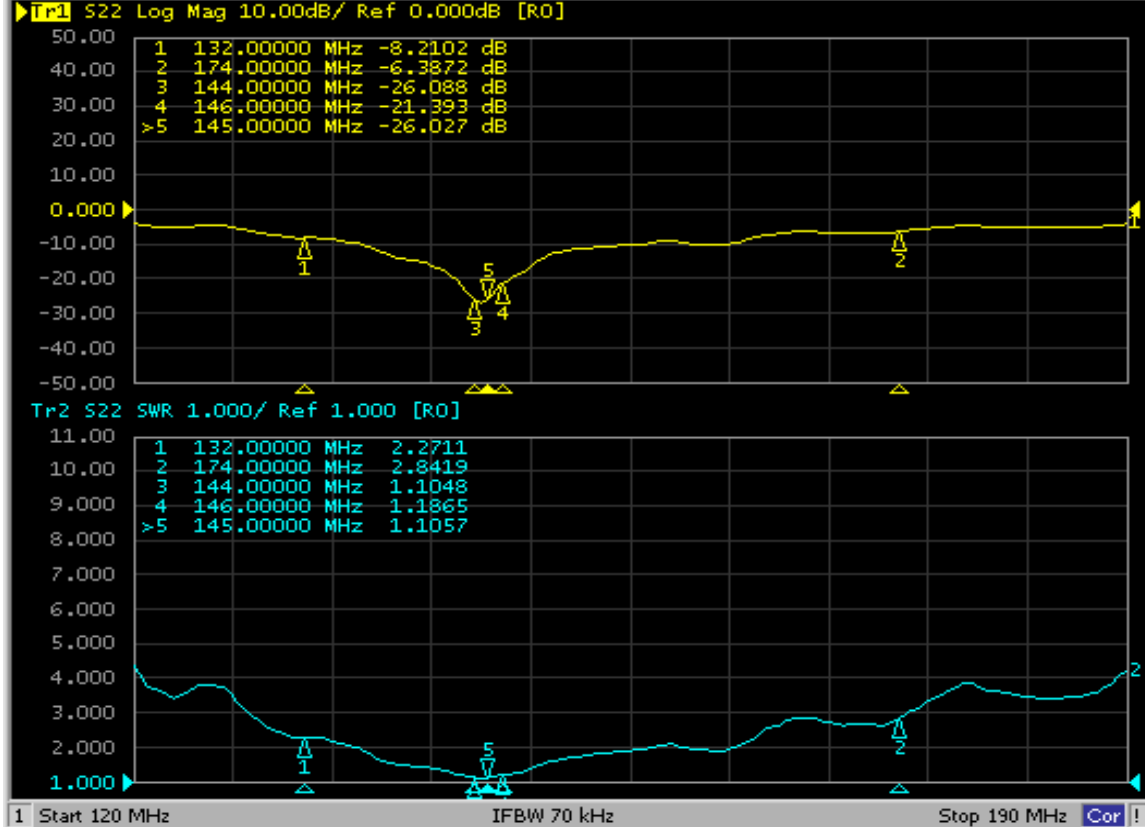




EVERCOM COMMUNICATION TECHNOLOGY CO.; LTD		CHECKED BY	APPROVAL BY	DESIGNED BY	SCALE	UNIT
MODEL NAME	MODEL NO.		<i>Ben</i>	C.H.C	1 : 1.5	mm
	DB-3230		20130118	2013.01.16		

1 Active Ch/Trace 2 Response 3 Stimulus 4 Mkr/Analysis 5 Instr State

Evercom Communication Technology Co.,Ltd.



System

Print

Abort Printing

Printer Setup...

Invert Image
ON

Dump
Screen Image...

Multiport Test Set
Setup

Misc Setup

Backlight
ON

Firmware
Revision

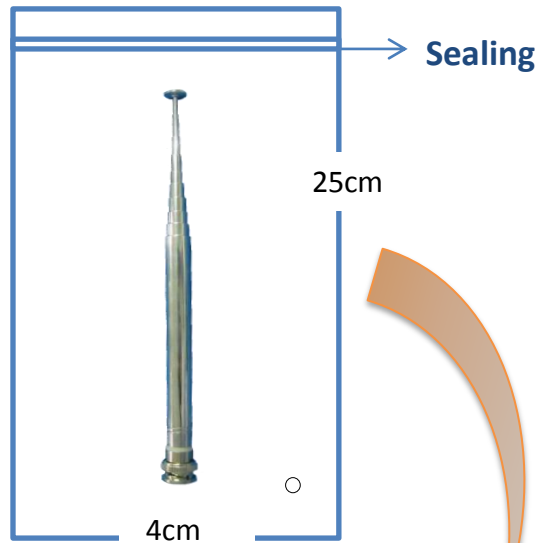
CB & VHF/UHF Series



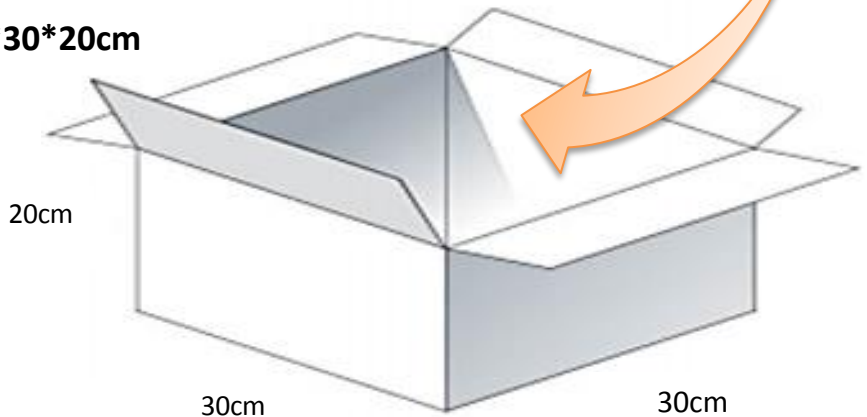
The World Wide Leader in Antenna

Packaging

1 pcs Antenna /PE bag each



250 PCS Per Carton
Carton Dimensions: 30*30*20cm



**CB &VHF/UHF
Series**



The World Wide Leader in Antenna

Antenna Applications

