

**CB & VHF/UHF
Series**



The World Wide Leader in Antenna

VHF/UHF ANTENNA

DB-3205B



Frequency : 144 -146 MHz

Gain : 3dB

V.S.W.R. : <1.5:1

Power: 20W

Impedance : 50 Ohms

Cable : N/A

Material : Copper / ABS / POM

Weight : 110g

Color : Black

Dimension : 230mm

Mount : BNC

Polarization : Vertical

Temperature : -20°C to +60°C

EVERCOM COMMUNICAITON TECHNOLOGY CO., LTD.

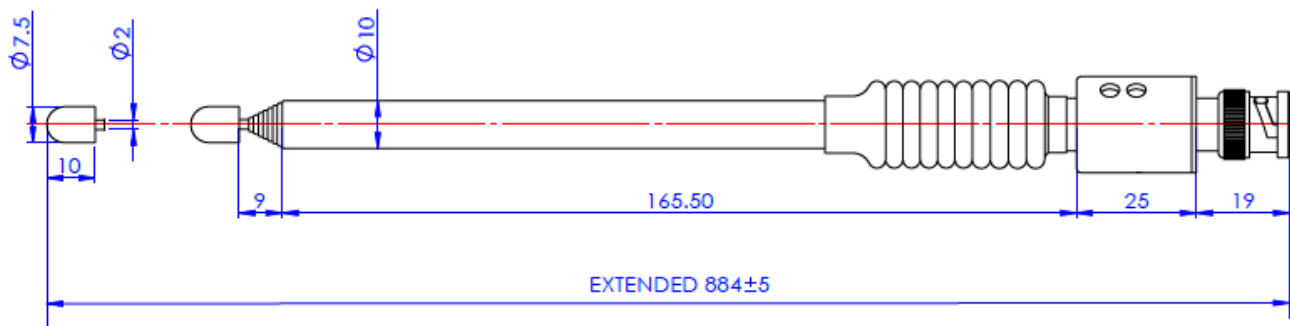
No.108 Jiesin St. Taoyuan District Taoyuan City 33063, Taiwan R.O.C.

Tel: +886-3-376-5678 Fax: +886-3-376-5319 E-Mail: service@evercomtech.com



ISO 9001

DATE	DESCRIPTION	REV
2020.12.25	草稿成品圖	A

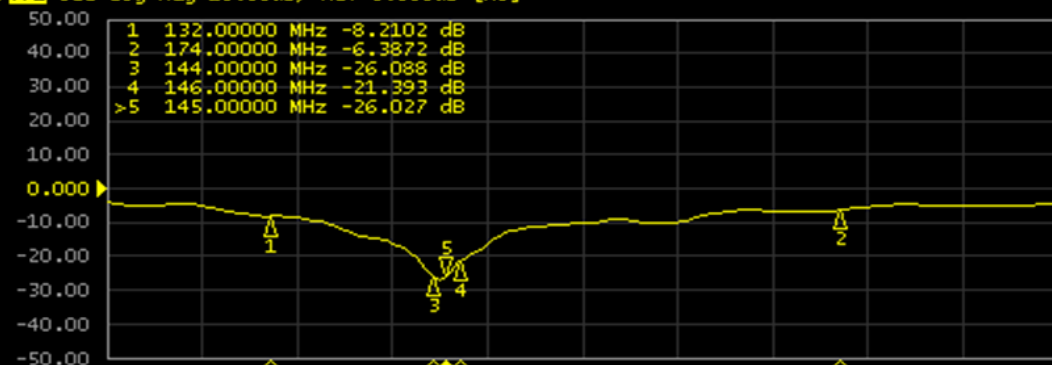


EVERCOM COMMUNICATION TECHNOLOGY CO; LTD		CHECKED BY	APPROVAL BY	DESIGNED BY	SCALE	UNIT
MODEL NO.	DB-3205B			Y.W.C 2020.12.25	1:1	mm

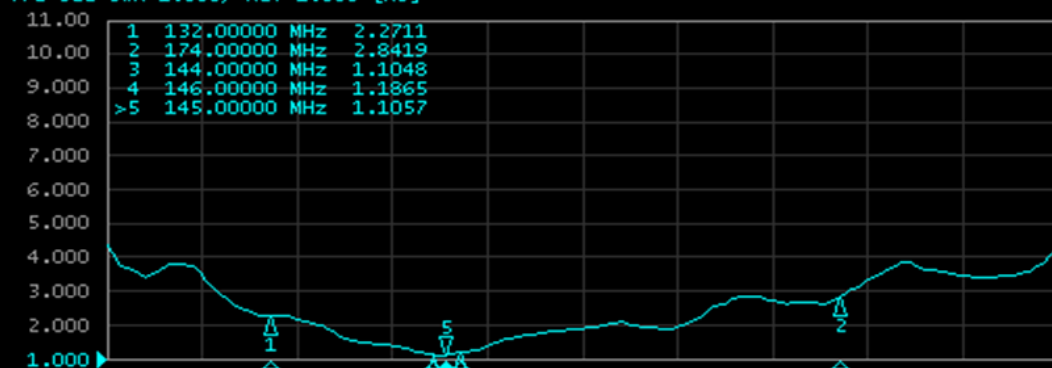
1 Active Ch/Trace 2 Response 3 Stimulus 4 Mkr/Analysis 5 Instr State

Evercom Communication Technology Co.,Ltd.

▶ Tr2 S22 Log Mag 10.00dB/ Ref 0.000dB [R0]



Tr2 S22 SWR 1.000/ Ref 1.000 [R0]



1 Start 120 MHz

IFBW 70 kHz

Stop 190 MHz Cor |

System

Print

Abort Printing

Printer Setup...

Invert Image
ON

Dump
Screen Image...

Multiport Test Set
Setup

Misc Setup

Backlight
ON

Firmware
Revision

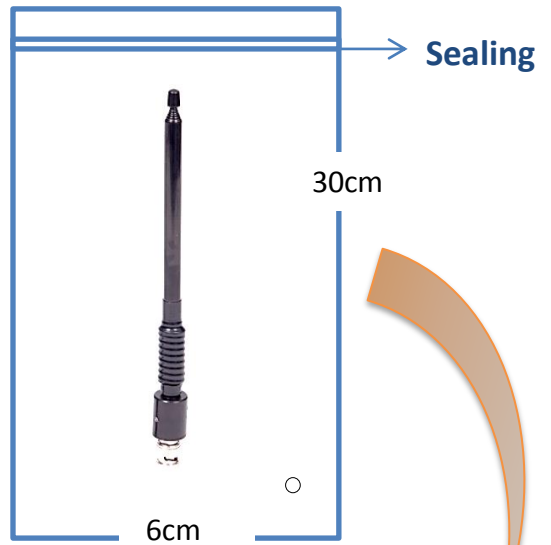
CB & VHF/UHF Series



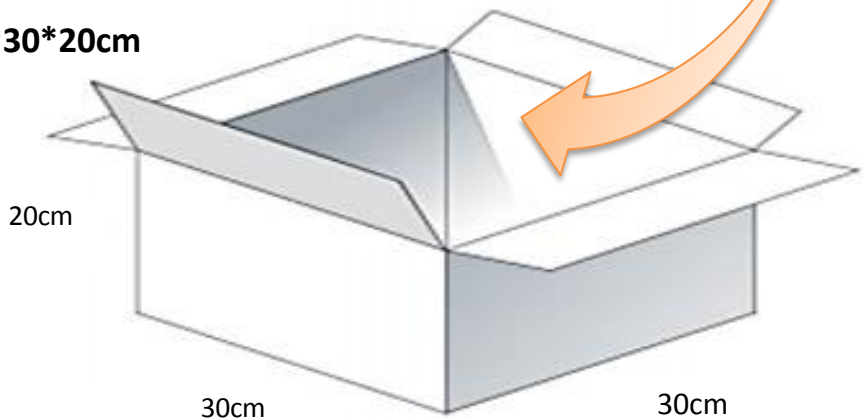
The World Wide Leader in Antenna

Packaging

1 pcs Antenna /PE bag each



100 PCS Per Carton
Carton Dimensions: 30*30*20cm



**CB & VHF/UHF
Series**



The World Wide Leader in Antenna

Antenna Applications

