

**CB & VHF/UHF
Series**



The World Wide Leader in Antenna

VHF/UHF ANTENNA

DB-3212 / DB-3212S



Frequency :144 -146/ 400-550 MHz

Gain : 3 dB / 0dB

V.S.W.R. : <1.5:1

Power : 20W

Impedance : 50 Ohms

Cable : N/A

Material : Copper / PVC / SUP

Weight : 30 g

Color : Black

Dimension : 237~1480 X 13.8 X 10 mm

Mount : BNC

Polarization : Vertical

Temperature :- 20°C to +60°C

EVERCOM COMMUNICAITON TECHNOLOGY CO., LTD.

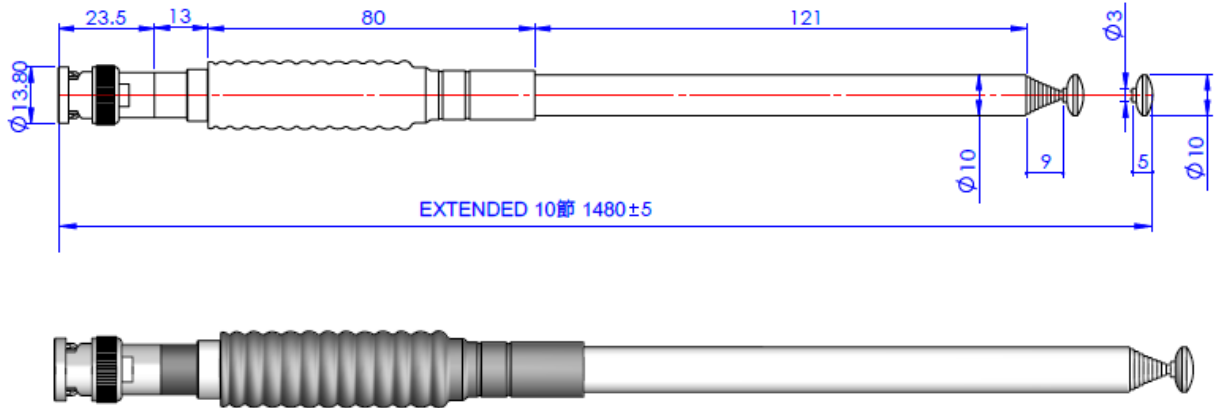
No.108 Jiesin St. Taoyuan District Taoyuan City 33063, Taiwan R.O.C.

Tel: +886-3- 376- 5678 Fax: +886-3- 376- 5319 E-Mail: service@evercomtech.com



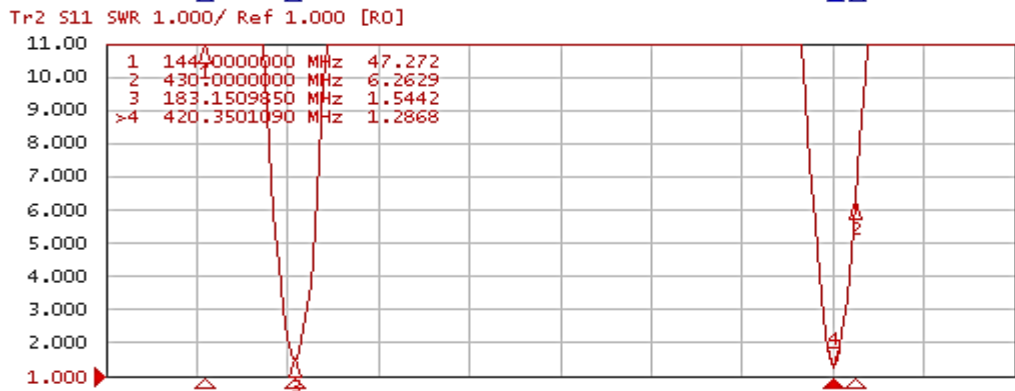
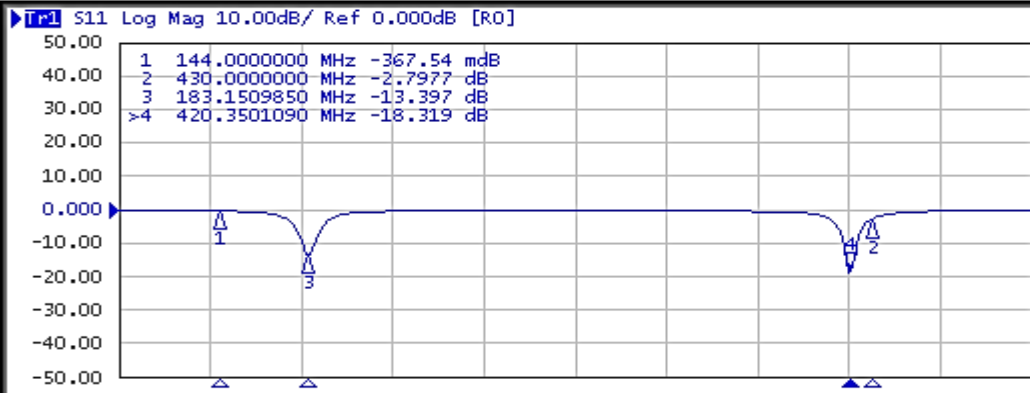
ISO 9001

DATE	DESCRIPTION	REV
2021.04.15	First drawing	A



	EVERCOM COMMUNICATION TECHNOLOGY CO.; LTD	CHECKED BY	APPROVAL BY	DESIGNED BY	SCALE	UNIT
	MODEL NO. DB-3212			Y.W.C	1:1	mm
				2021.04.15		

1 Active Ch/Trace 2 Response 3 Stimulus 4 Mkr/Analysis 5 Instr State



1 Start 100 MHz IFBW 70 kHz Stop 500 MHz Cor

System

Print

Abort Printing

Printer Setup...

Invert Image ON

Dump Screen Image...

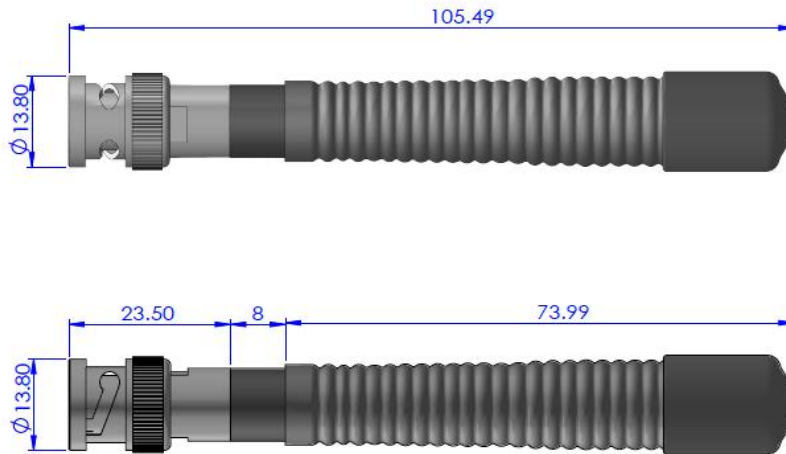
E5091A Setup >

Misc Setup >

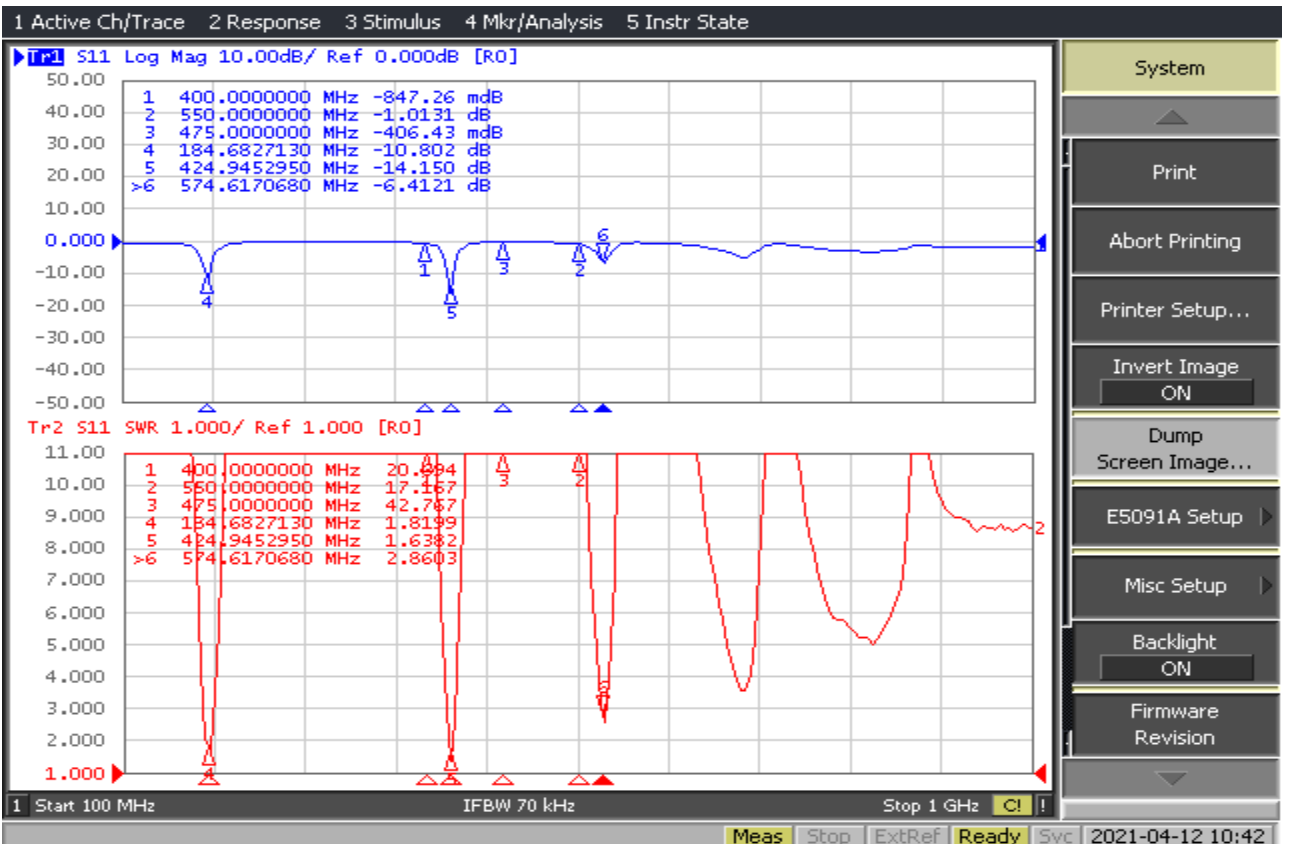
Backlight ON

Firmware Revision

DATE	DESCRIPTION	REV
2021.04.14	First drawing	A



EVERCOM COMMUNICATION TECHNOLOGY CO; LTD		CHECKED BY	APPROVAL BY	DESIGNED BY	SCALE	UNIT
MODEL NO.	DB-3212S			Y.W.C 2021.04.14	1.5:1	mm



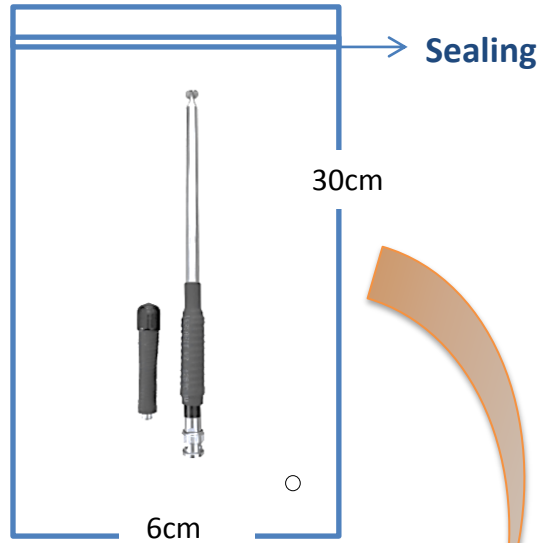
CB & VHF/UHF Series



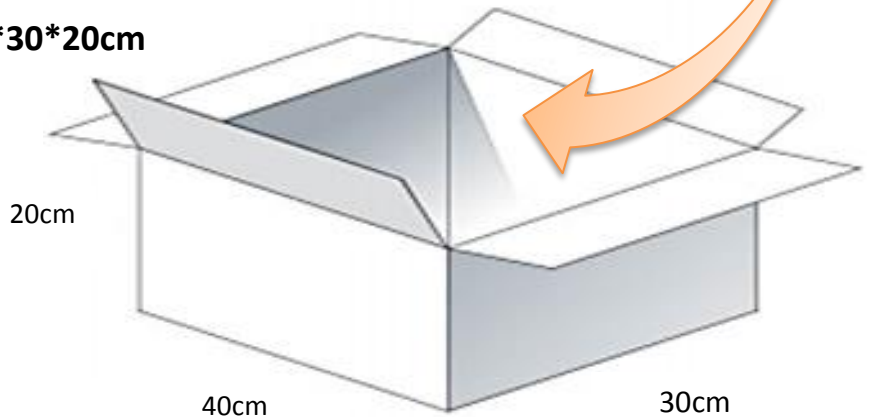
The World Wide Leader in Antenna

Packaging

1 pcs Antenna /PE bag each



250 PCS Per Carton
Carton Dimensions: 40*30*20cm



**CB &VHF/UHF
Series**



The World Wide Leader in Antenna

Antenna Applications

