

**CB &VHF/UHF
Series**



The World Wide Leader in Antenna

VHF/UHF ANTENNA

DB-3213



Frequency : 144 MHz

Gain : 2.15 dB

V.S.W.R. : <1.5:1

Power : 10W

Impedance : 50 Ohms

Cable : N/A

Material : Copper / POM / Metal

Weight : 15g

Color : Black

Dimension : 226 X 14 X 3mm

Mount : BNC

Polarization : Vertical

Temperature : -20°C to +60°C

EVERCOM COMMUNICAITON TECHNOLOGY CO., LTD.

No.108 Jiesin St. Taoyuan District Taoyuan City 33063, Taiwan R.O.C.

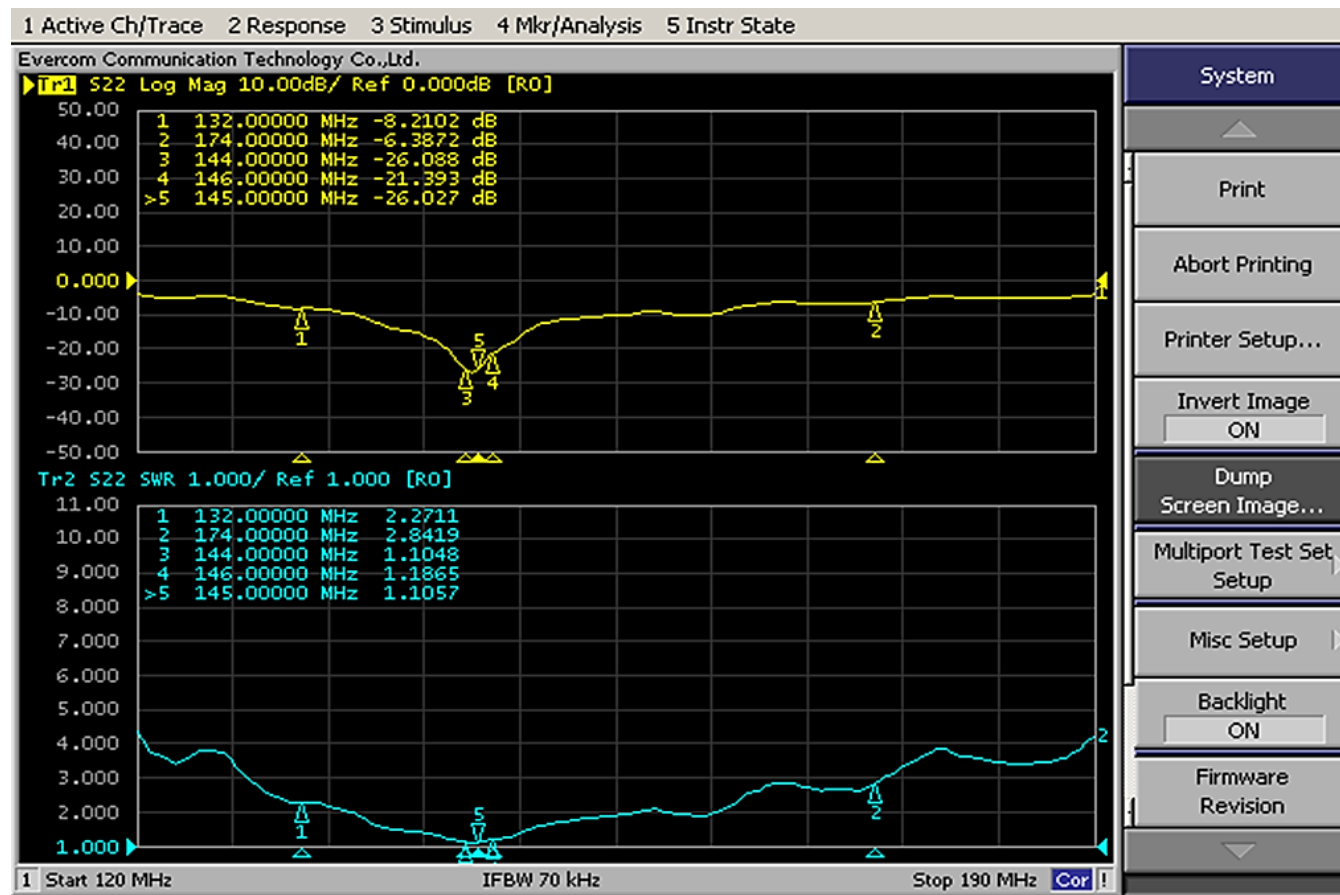
Tel: +886-3-376-5678 Fax: +886-3-376-5319 E-Mail: service@evercomtech.com



ISO 9001



	EVERCOM COMMUNICATION TECHNOLOGY CO., LTD		CHECKED BY	APPROVAL BY	DESIGNED BY	SCALE	UNIT
	MODEL NAME	MODEL NO.		<i>Ben</i>	C.H.C	1 : 1.5	mm
		DB-3213SM		20130109	2012.12.24		



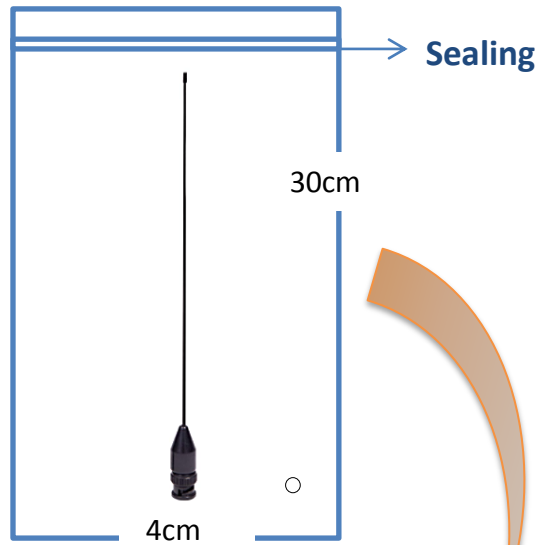
CB & VHF/UHF Series



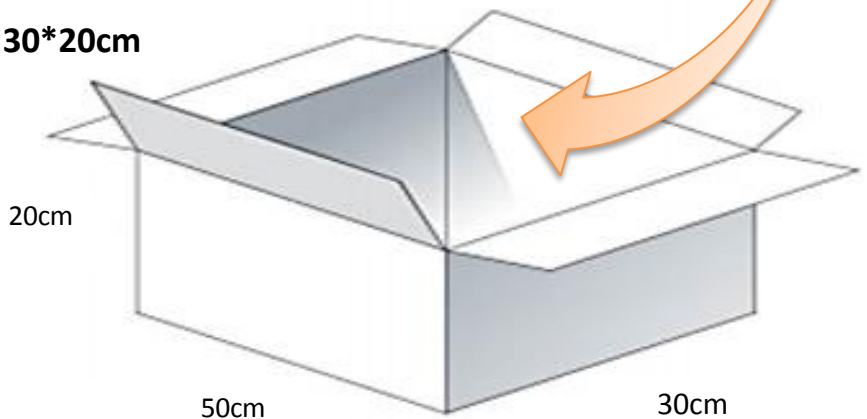
The World Wide Leader in Antenna

Packaging

1 pcs Antenna /PE bag each



500 PCS Per Carton
Carton Dimensions: 50*30*20cm



**CB & VHF/UHF
Series**



The World Wide Leader in Antenna

Antenna Applications

