

**CB &VHF/UHF
Series**



The World Wide Leader in Antenna

VHF/UHF ANTENNA

DB-3214



Frequency :144-430 MHz

Gain : 2.15dB

V.S.W.R. : <1.5:1

Power : 20W

Impedance : 50 Ohms

Cable : N/A

Material : Cooper / POM / Metal

Weight : 20g

Color : Black

Dimension: 360 X 13.8 X 3 mm

Mount : BNC

Polarization : Vertical

Temperature : -20°C to +60°C

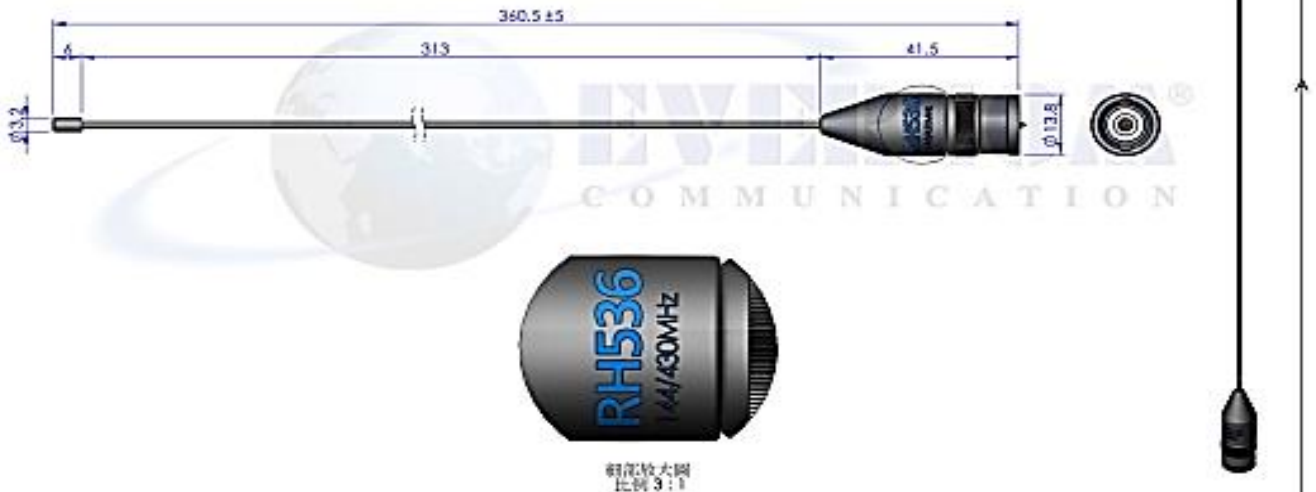
EVERCOM COMMUNICAITON TECHNOLOGY CO., LTD.

No.108 Jiesin St. Taoyuan District Taoyuan City 33063, Taiwan R.O.C.

Tel: +886-3-376-5678 Fax: +886-3-376-5319 E-Mail: service@evercomtech.com



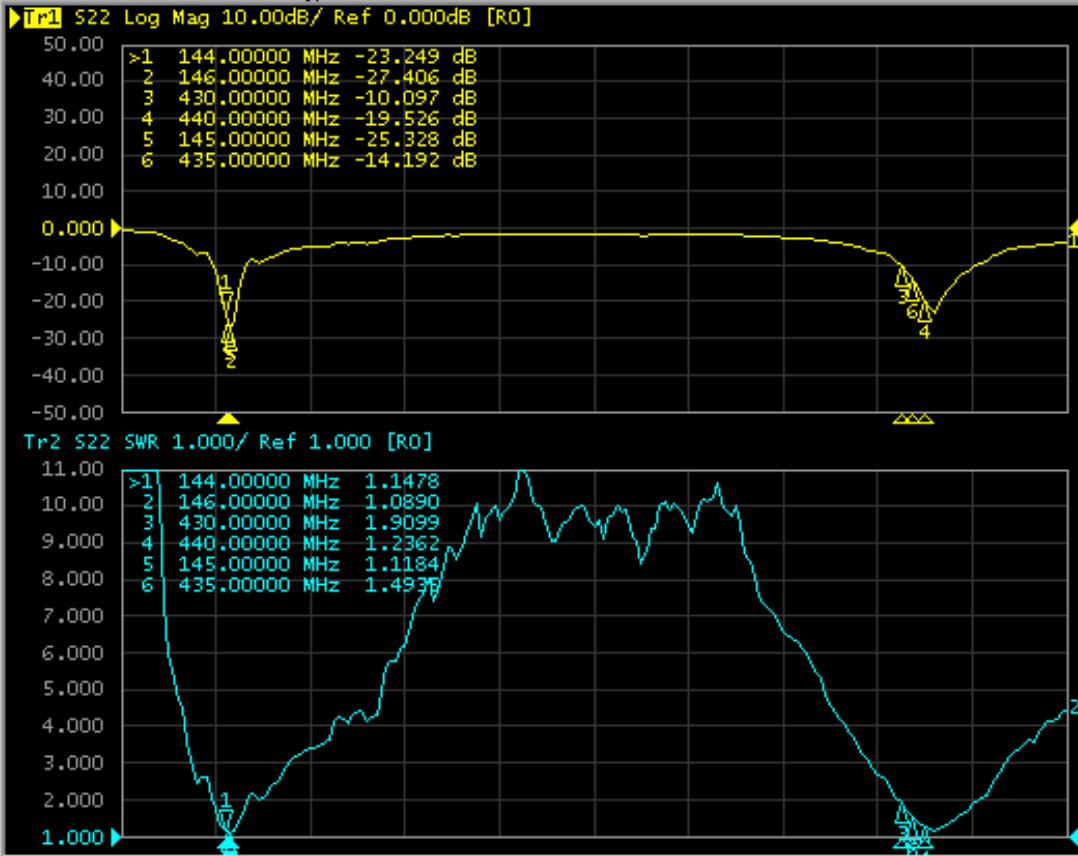
ISO 9001



	EVERCOM COMMUNICATION TECHNOLOGY CO., LTD		CHECKED BY	APPROVAL BY	DESIGNED BY	SCALE	UNIT
	MODEL NAME	MODEL NO.	DB-3214	<i>Ben</i> 20121220	C.H.C 2012.12.19	1:1	mm

1 Active Ch/Trace 2 Response 3 Stimulus 4 Mkr/Analysis 5 Instr State

Evercom Communication Technology Co., Ltd.



System

Print

Abort Printing

Printer Setup...

Invert Image
ON

Dump Screen Image...

Multiport Test Set Setup

Misc Setup

Backlight
ON

Firmware Revision

1 Start 100 MHz IFBW 70 kHz Stop 500 MHz Cor

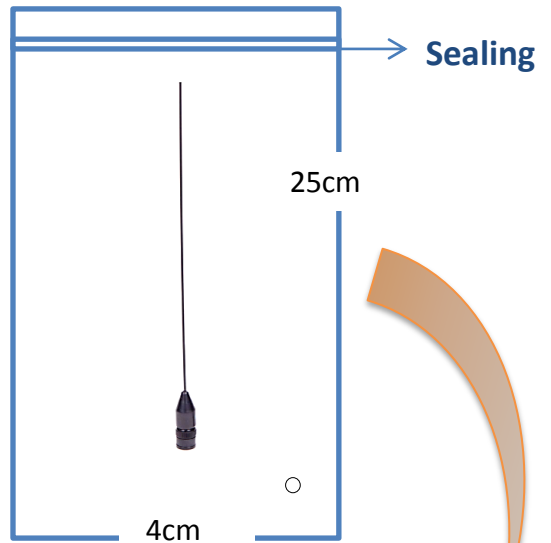
CB & VHF/UHF Series



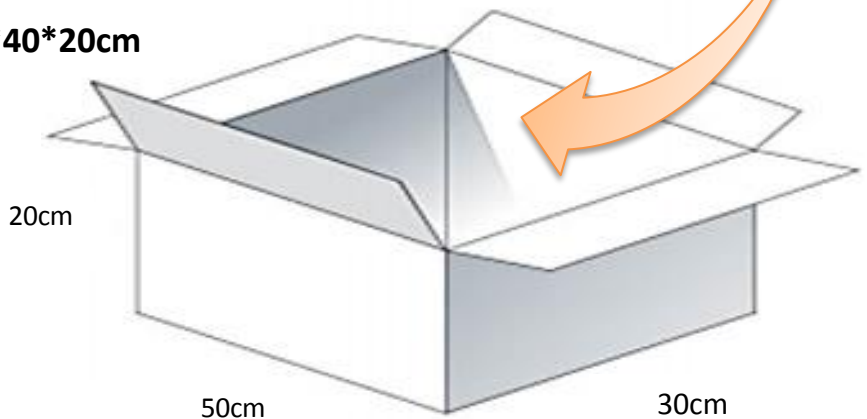
The World Wide Leader in Antenna

Packaging

1 pcs Antenna /PE bag each



500 PCS Per Carton
Carton Dimensions: 50*40*20cm



**CB & VHF/UHF
Series**



The World Wide Leader in Antenna

Antenna Applications

