

**CB & VHF/UHF  
Series**



# VHF/UHF ANTENNA

## DB-3222



Frequency : 144Mhz

Gain : 3 dB

V.S.W.R. : <2:1

Power: 20W

Impedance : 50 Ohms

Material : Copper/PVC/ SUP

Connector : BNC,SMA (Optional)

Weight : 30g

Color: Black

Dimension : 170.5 x 13.8 x 11.5 mm

Polarization : Vertical

Temperature : -20°C to +60°C

**EVERCOM COMMUNICAITON TECHNOLOGY CO., LTD.**

No.108 Jiesin St. Taoyuan District Taoyuan City 33063, Taiwan R.O.C.

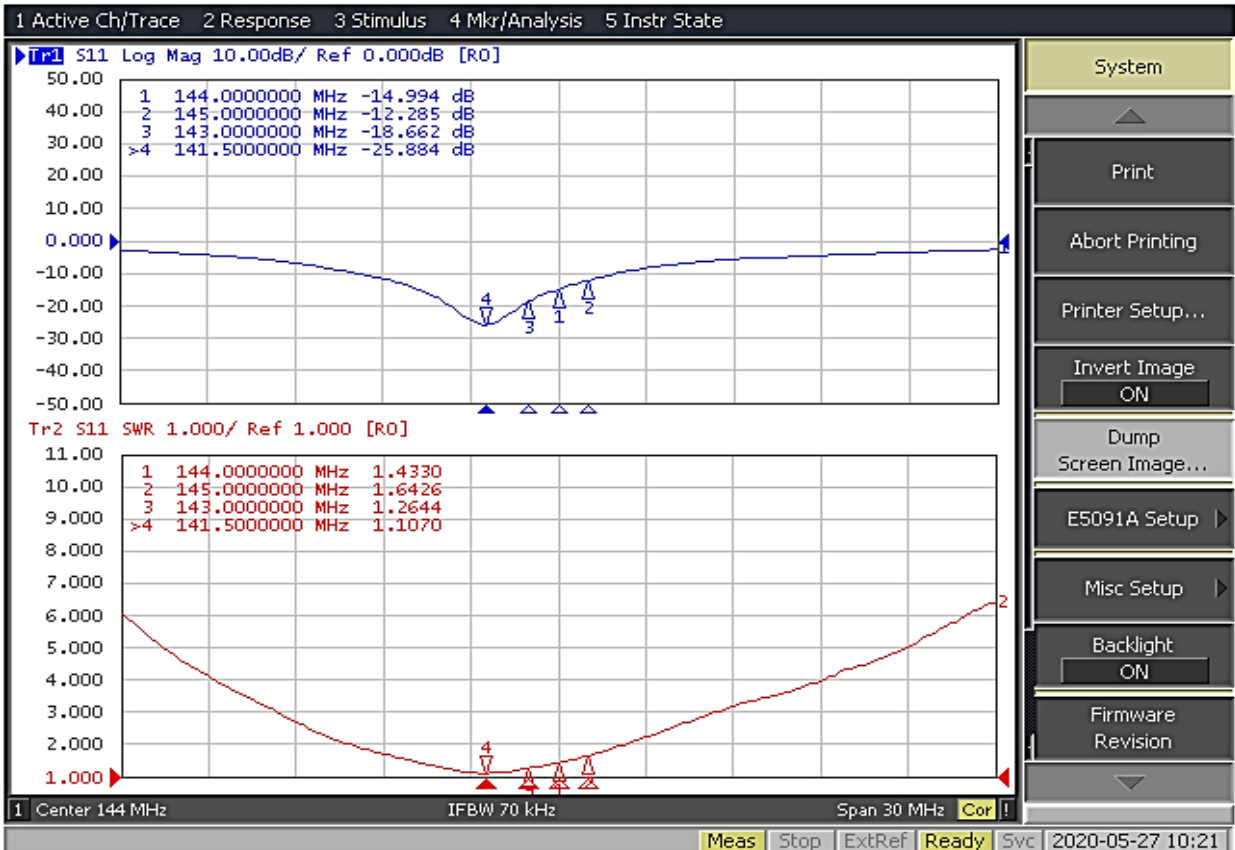
Tel: +886-3-376-5678 Fax: +886-3-376-5319 E-Mail: [service@evercomtech.com](mailto:service@evercomtech.com)



ISO 9001



		EVERCOM COMMUNICATION TECHNOLOGY CO; LTD		CHECKED BY	APPROVAL BY	DESIGNED BY	SCALE	UNIT
MODEL NAME		MODEL NO.	DB-3222		<i>Ben</i> 20130109	C.H.C 2012.12.22	1:1	mm

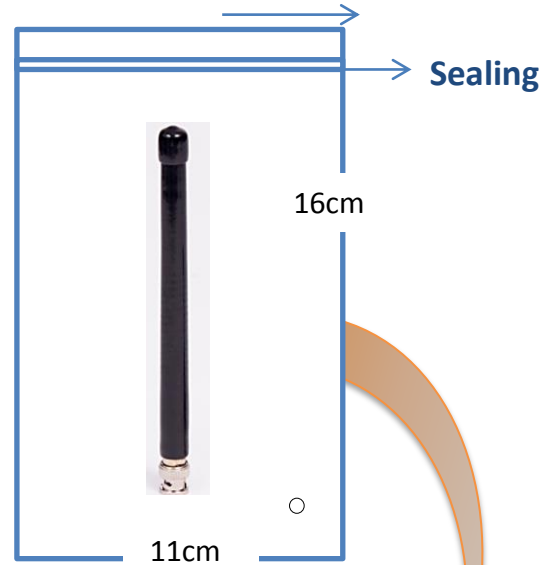


# CB & VHF/UHF Series

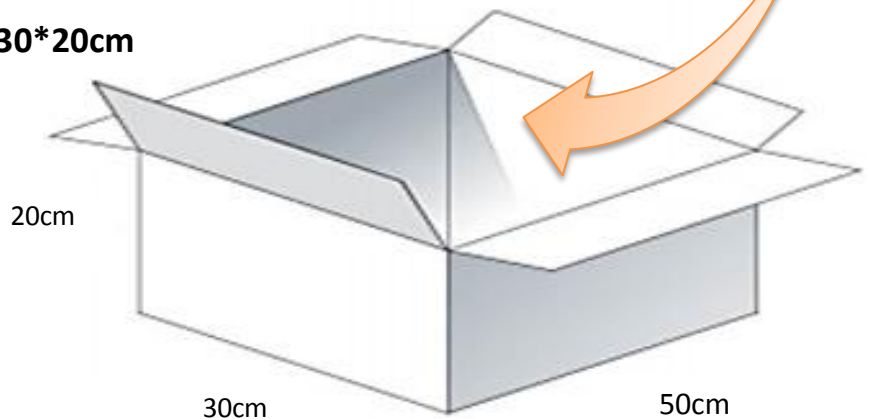


## Packaging

1 pcs Antenna /Yellow PVC bag each



250 PCS Per Carton  
Carton Dimensions:50\*30\*20cm



**CB & VHF/UHF  
Series**



# Antenna Applications

