

**CB & VHF/UHF
Series**



The World Wide Leader in Antenna

VHF/UHF ANTENNA

DB-3238SM



Frequency : 433.92 MHz

Gain : 2.15 dB

V.S.W.R. : <1.5:1

Power : 10W

Impedance : 50 Ohms

Cable : N/A

Material : TPR /Copper/ SUP

Weight : 15 g

Color : Black

Dimension : 164 X14.7X 8mm

Mount : SMA/M

Polarization : Vertical

Temperature : -20°C to +60°C

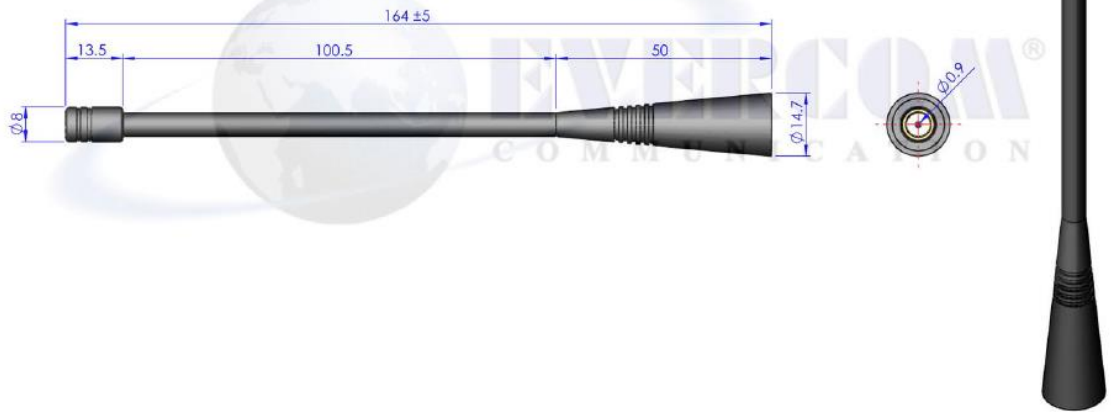
EVERCOM COMMUNICAITON TECHNOLOGY CO., LTD.

No.108 Jiesin St. Taoyuan District Taoyuan City 33063, Taiwan R.O.C.

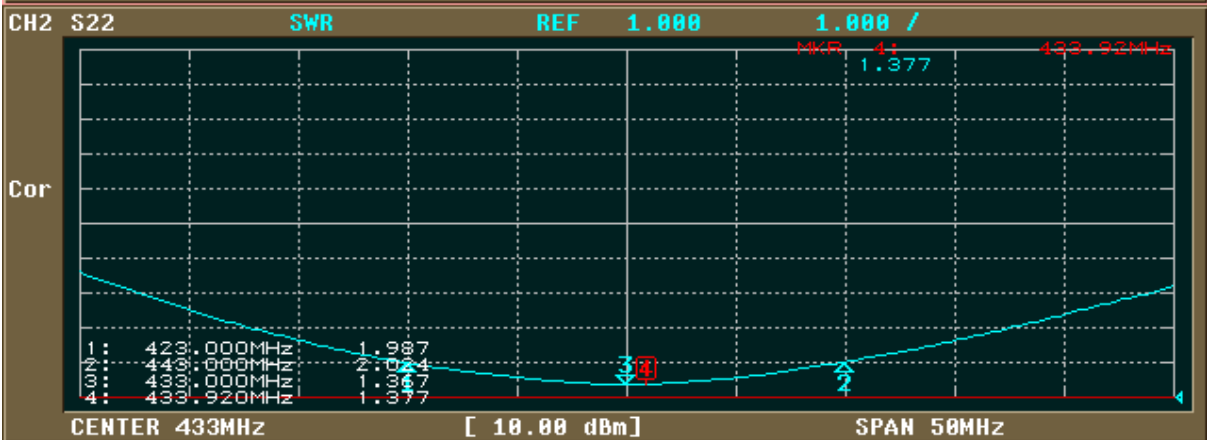
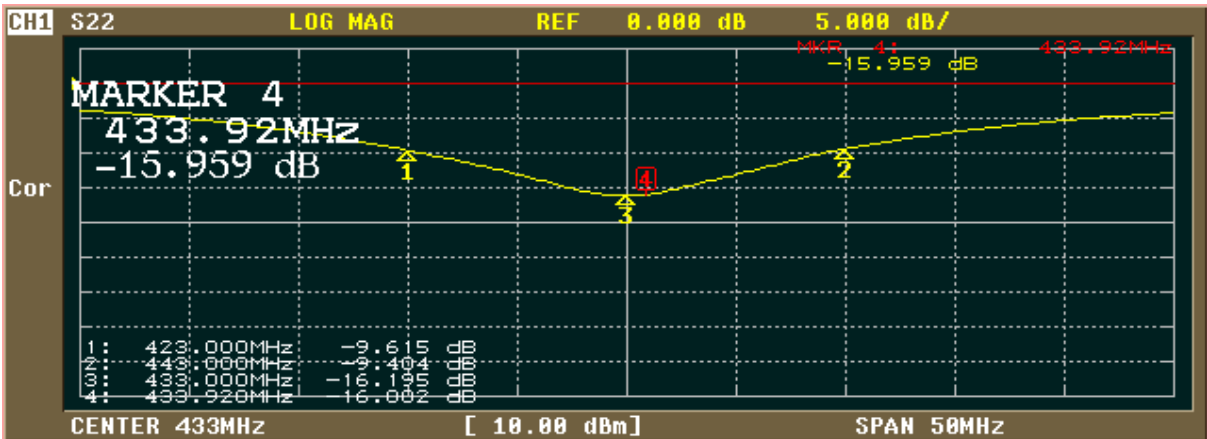
Tel: +886-3- 376- 5678 Fax: +886-3- 376- 5319 E-Mail: service@evercomtech.com



ISO 9001



	EVERCOM COMMUNICATION TECHNOLOGY CO., LTD			CHECKED BY	APPROVAL BY	DESIGNED BY	SCALE	UNIT
	MODEL NAME	MODEL NO.	DB-3238SM		<i>Ben</i> 20130816	C.H.C 2013.08.16	1:1	mm



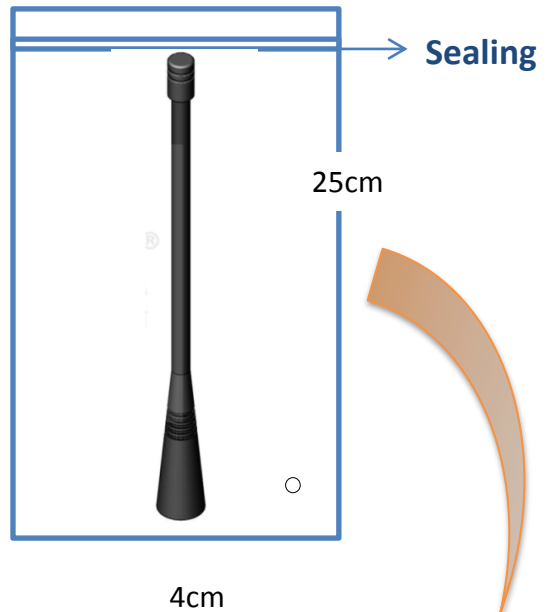
CB & VHF/UHF Series



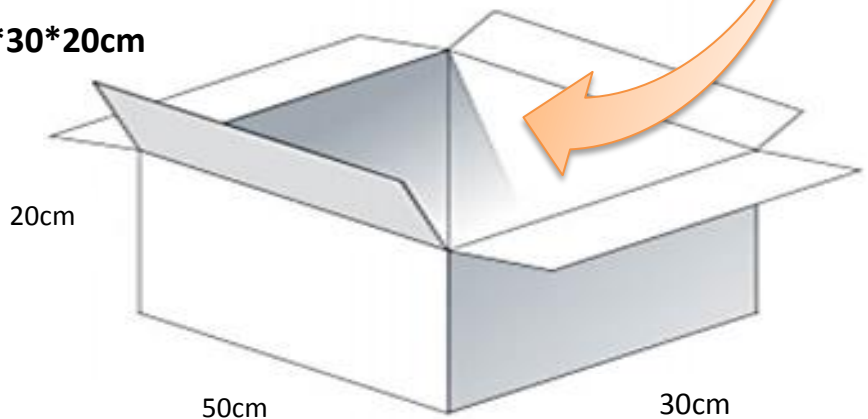
The World Wide Leader in Antenna

Packaging

1 pcs Antenna /PE bag each



500 PCS Per Carton
Carton Dimensions: 50*30*20cm



**CB & VHF/UHF
Series**



The World Wide Leader in Antenna

Antenna Applications

