

**CB &VHF/UHF
Series**



VHF/UHF ANTENNA DB-455

Frequency : 445-470MHz

Gain : 5dB

Impedance : 50 ohm

V.S.W.R : <1.5:1

Power : 150W

Material : Copper/ ABS/ SUS

Weight : \approx 130g

Cable : RG58 (Optional)

Dimension : 876 x 38 x 5mm

Color : Black

Connector : NMO

Polarization : Vertical

Temperature : -20°C to +60°C



MT-1310



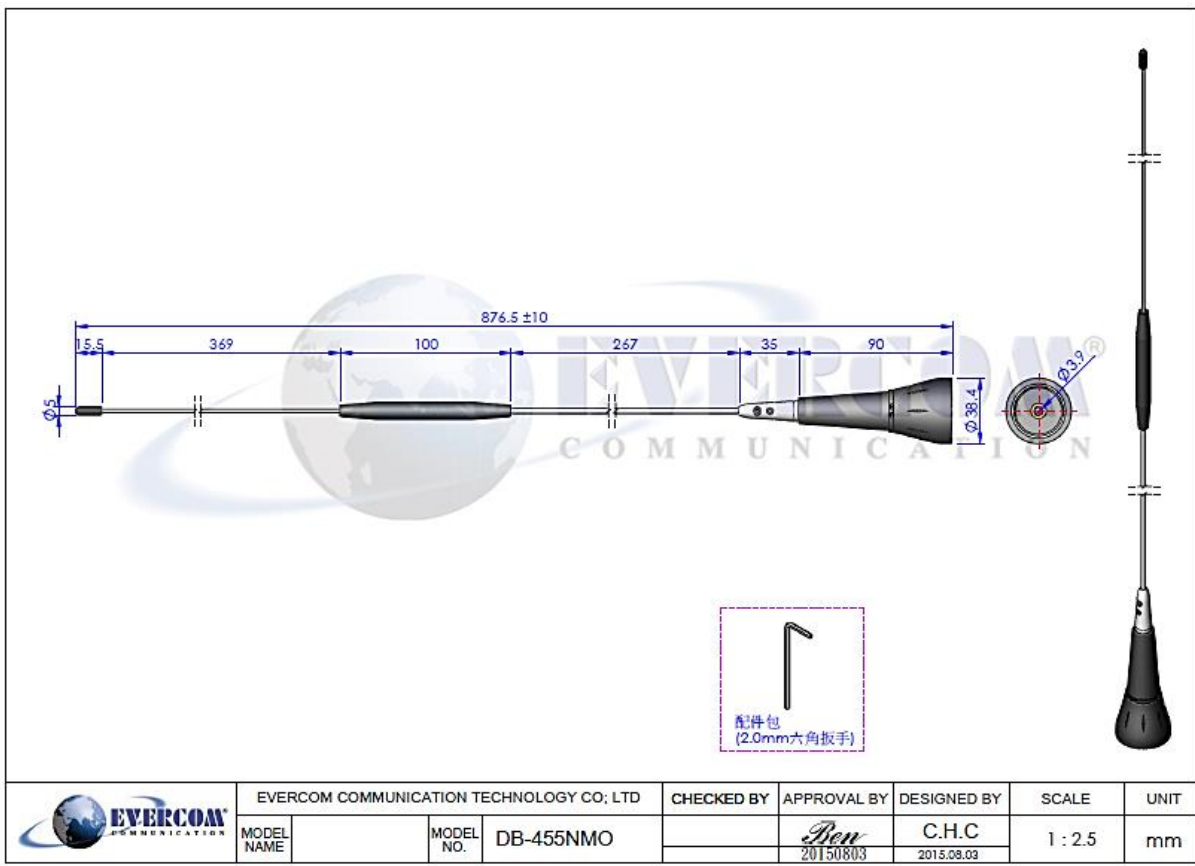
EVERCOM COMMUNICAITON TECHNOLOGY CO., LTD.

No.108 Jiesin St. Taoyuan District Taoyuan City 33063, Taiwan R.O.C.

Tel: +886-3-376-5678 Fax: +886-3-376-5319 E-Mail: service@evercomtech.com

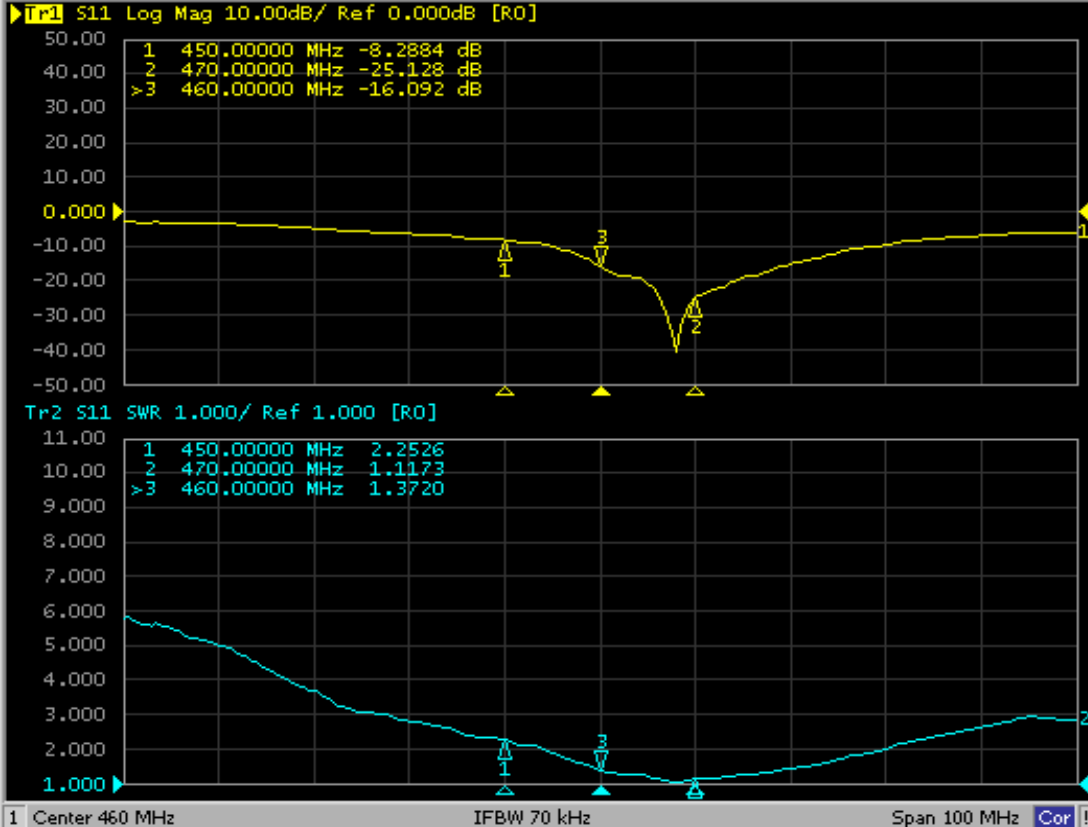


ISO 9001



1 Active Ch/Trace 2 Response 3 Stimulus 4 Mkr/Analysis 5 Instr State

Evercom Communication Technology Co.,Ltd.



System

Print

Abort Printing

Printer Setup...

Invert Image
ON

Dump Screen Image...

Multiport Test Set Setup

Misc Setup

Backlight
ON

Firmware Revision

Meas Stop ExtRef Ready Svc 2015-07-01 13:56

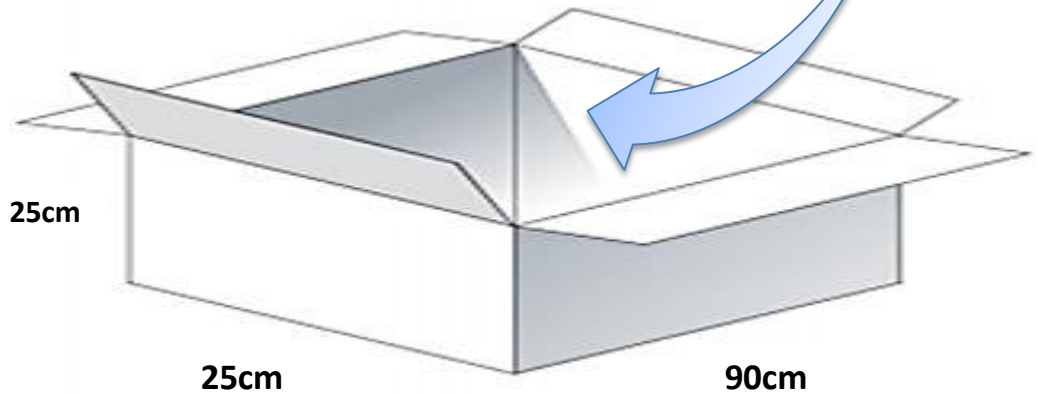
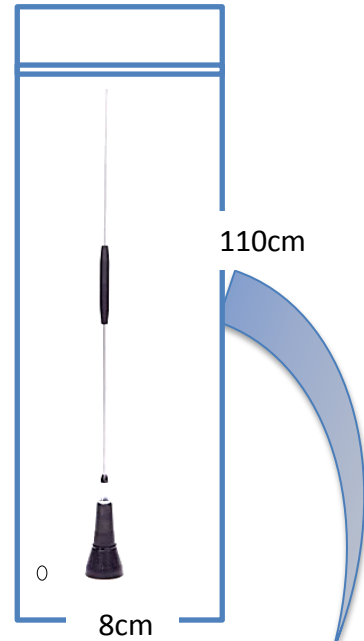
CB & VHF/UHF Series



Packaging

***1 pcs Antenna PE package/
each**

***100 pcs PE bag/ per carton
Carton Dimensions: 90*25*25cm**



ISO 9001

CB & VHF/UHF Series



Antenna Applications

