

WIFI 6E Antenna

TRB-DP137



Frequency : 2400-2500 / 5150-7125 MHz

Peak Gain : 3~4dBi

Efficiency : 50 ~ 70 %

Connector : SMA/Male (Optional: RP)

V.S.W.R : <2:1

Impedance : 50 ohm

Cable : N/A

Length : 136 mm

Weight : 15g

Material : ABS Polymer

Polarization : Linear (V or H)

Color : Black (Optional)

Mount : SMA/M

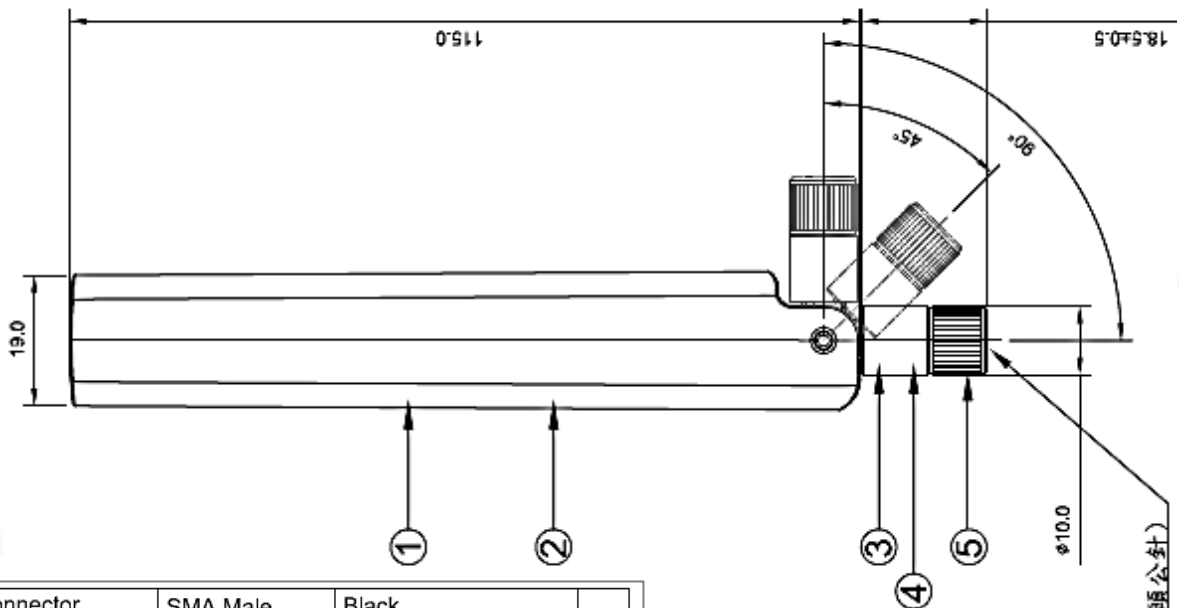
Temperature : -30°C to + 85°C

Max. Power : 30W

EVERCOM COMMUNICAITON TECHNOLOGY CO., LTD.

No.108 Jiesin St. Taoyuan District Taoyuan City 33063, Taiwan R.O.C.

Tel: +886-3- 376- 5678 Fax: +886-3- 376- 5319 E-Mail: service@evercomtech.com

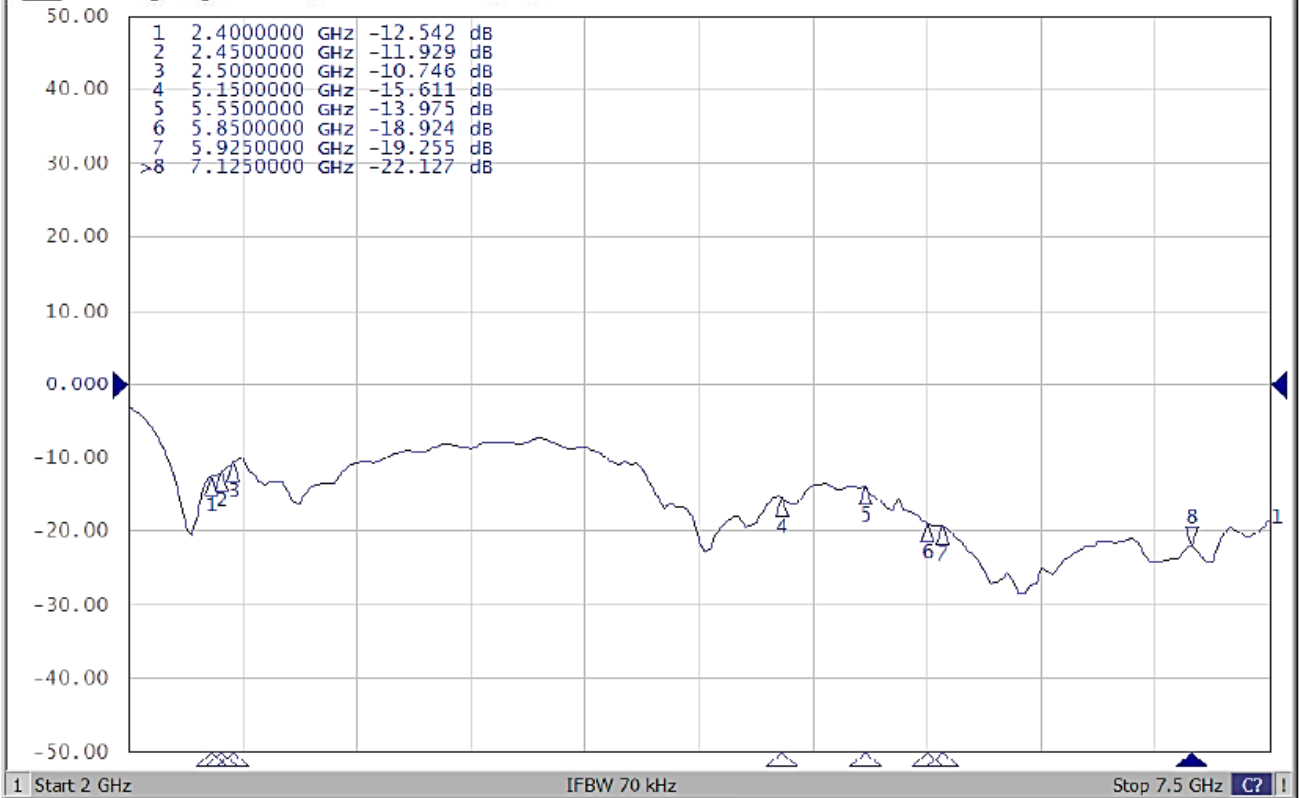
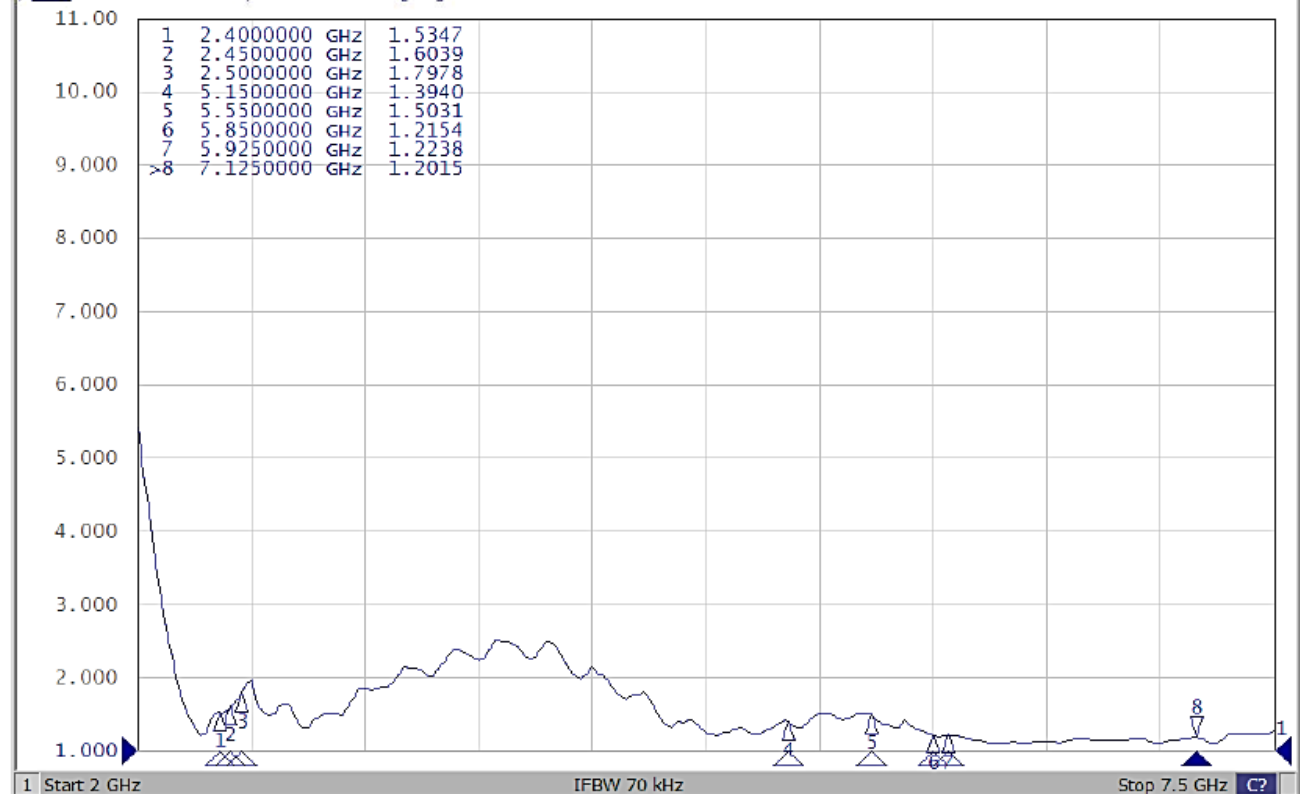


SMA Male (公頭公針)

5	Connector	SMA Male	Black	
4	Cable	O.D.1.37mm	Black	1
3	Body2	PC+PBT		1
2	PCB	FR4	Black	1
1	Body1	ABS	Black	1
No.	Name	Material	Finish	Q'ty

	EVERCOM COMMUNICATION TECHNOLOGY CO.; LTD		CHECKED BY	APPROVAL BY	DESIGNED BY	SCALE	UNIT
	MODEL NAME	MODEL NO.	TRB-DP137	<i>Ben</i> 20161011	C.H.C 2016.09.29	1:2	mm



▶ **Tr1** S22 Log Mag 10.00dB/ Ref 0.000dB [F2]▶ **Tr1** S22 SWR 1.000/ Ref 1.000 [F2]

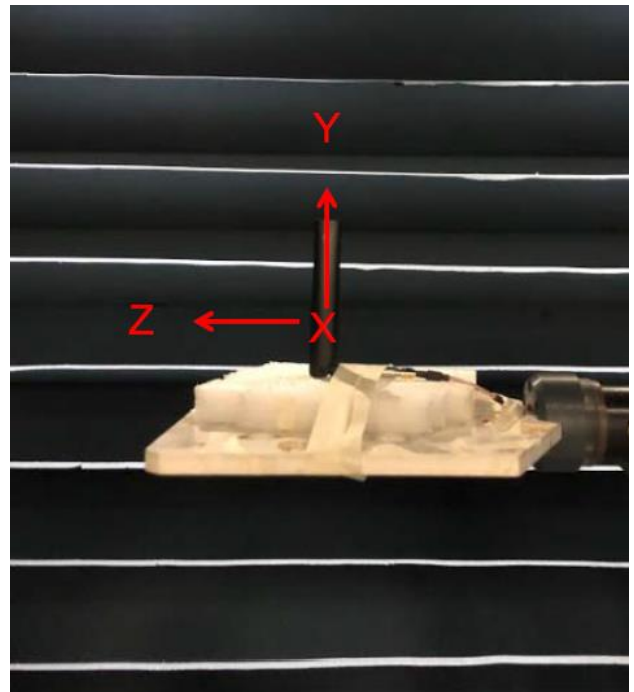
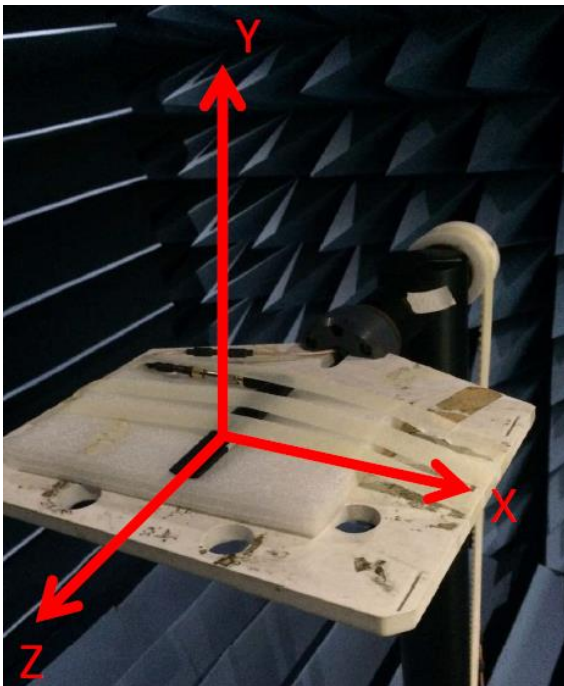
Gain / Efficiency Test Data

Total Polarization

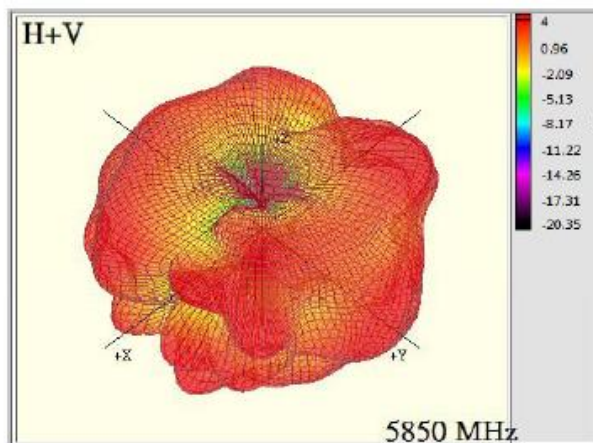
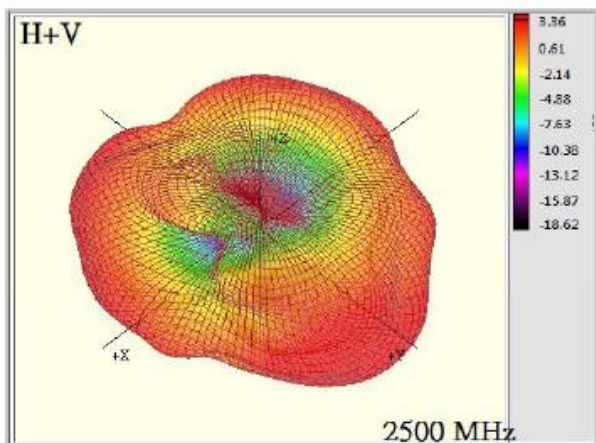
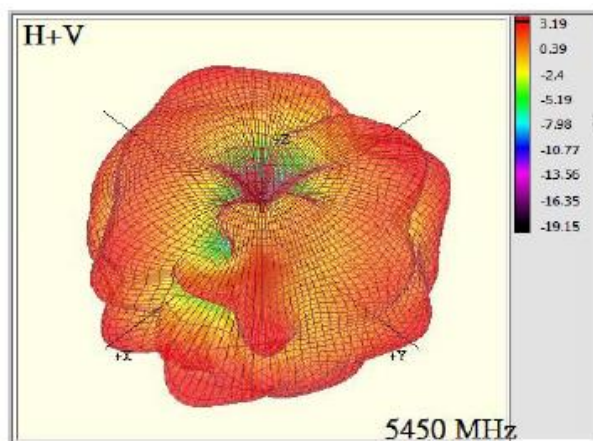
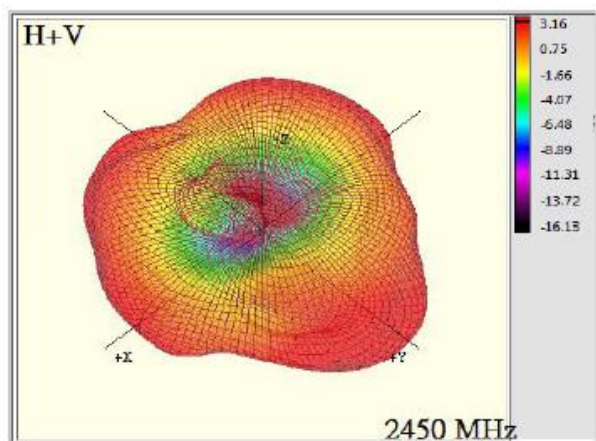
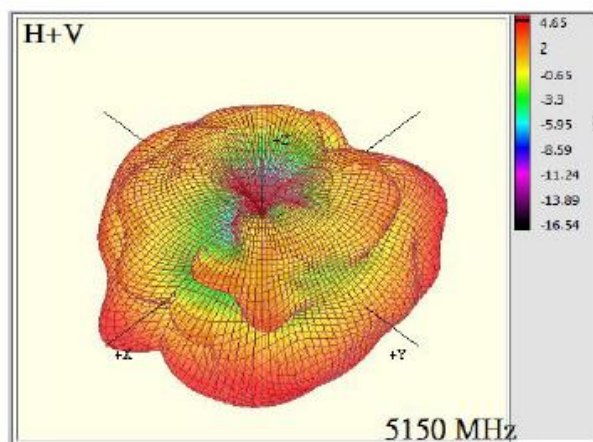
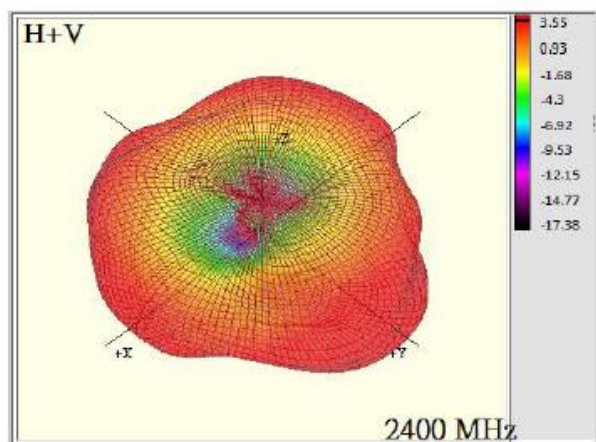
Frequency (MHz)	2400	2450	2500	5150	5450	5850
Tot. Rad. Pwr. (dBi)	-0.961	-1.583	-1.722	-1.163	-1.593	-1.168
Peak EIRP (dBi)	3.459	3.018	3.088	4.197	2.522	4.002
Directivity (dBi)	4.42	4.601	4.809	5.36	4.115	5.17
Efficiency (dB)	-0.961	-1.583	-1.722	-1.163	-1.593	-1.168
Efficiency (%)	80.148	69.455	67.273	76.498	69.294	76.426
Gain (dBi)	3.459	3.018	3.088	4.197	2.522	4.002

Frequency (MHz)	5925	6125	6325	6525	6825	7125
Tot. Rad. Pwr. (dBi)	-1.636	-2.335	-2.804	-2.47	-2.103	-1.979
Peak EIRP (dBi)	3.751	2.867	3.716	4.12	2.957	2.94
Directivity (dBi)	5.388	5.202	6.52	6.59	5.06	4.919
Efficiency (dB)	-1.636	-2.335	-2.804	-2.47	-2.103	-1.979
Efficiency (%)	68.608	58.41	52.433	56.624	61.613	63.405
Gain (dBi)	3.751	2.867	3.716	4.12	2.957	2.94

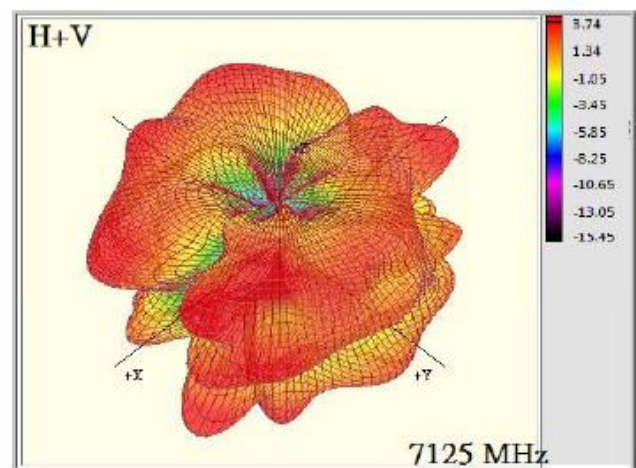
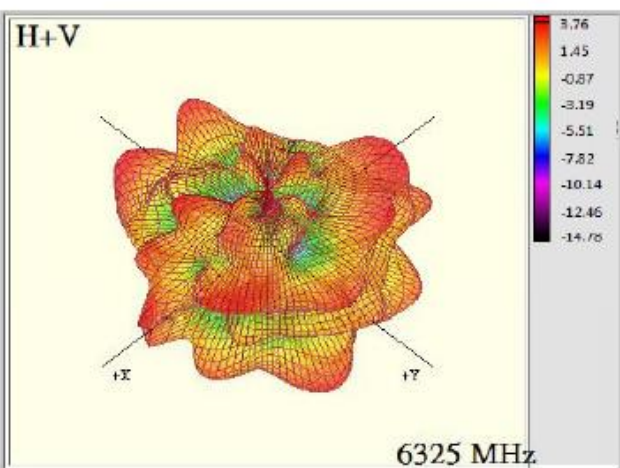
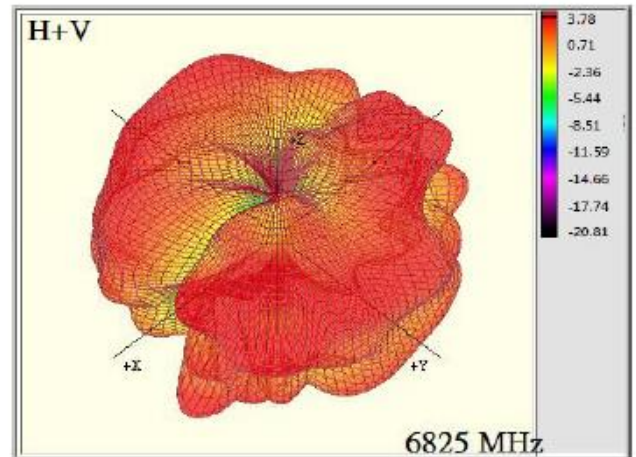
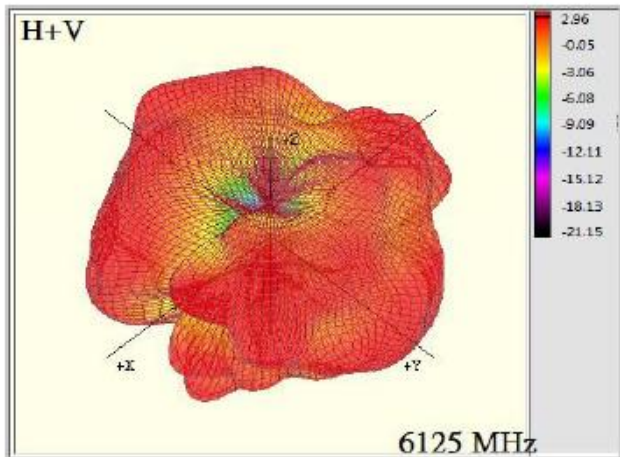
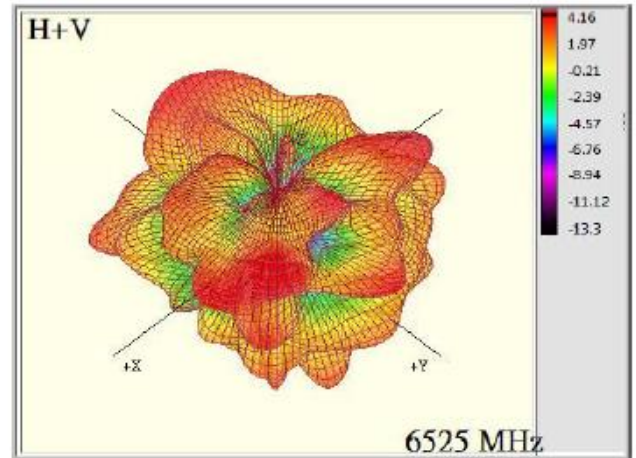
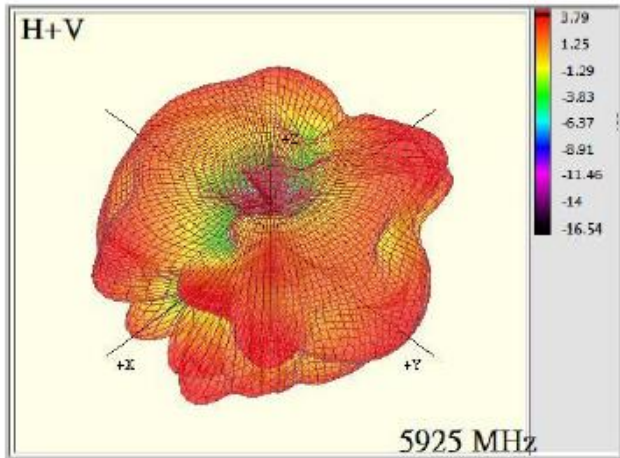
Product Configuration



Gain / Efficiency Test Data

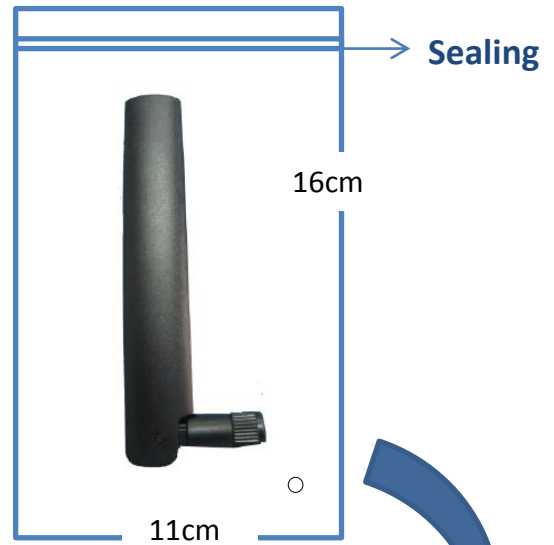


Gain / Efficiency Test Data

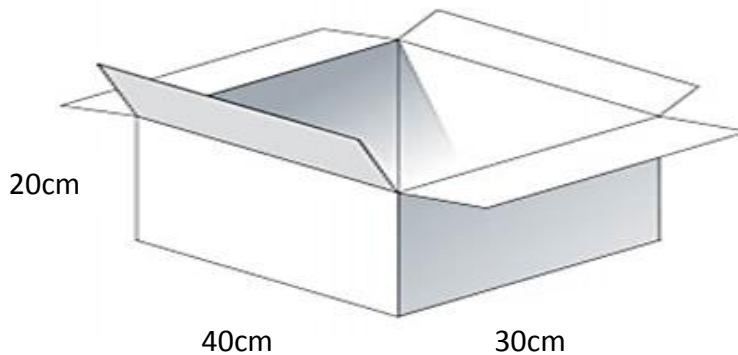


Packaging

Antenna pack in a poly bag



1000 PCS Per Carton
Carton Dimensions:40*30*20cm



5G

4G

Antenna Applications

