

WIFI-6E Antenna

TRB-TC-129SMA-M3



Frequency :2400~2500/5150~5900HZ

Gain : 5.5 dBi

Connector : SMA-M(Optional)

V.S.W.R : <1.5:1

Impedance : 50 ohm

Cable : RG174/3M (Optional)

Dimensions: 187mm

Weight : 95g

Material : ABS & TPR

Polarization : Vertical

Color : Black

Mount : Magnet Type

Temperature :-20°C to + 80°C

Max. Power: 30W

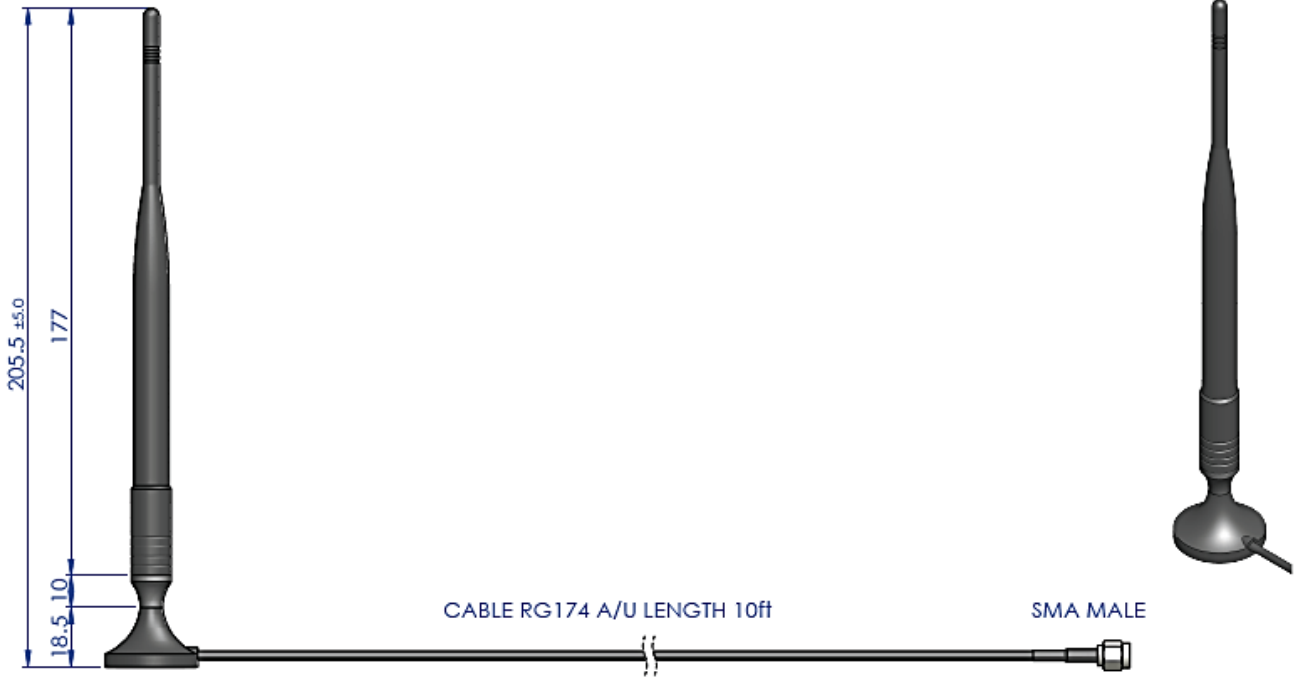
EVERCOM COMMUNICAITON TECHNOLOGY CO., LTD.

No.108 Jiesin St. Taoyuan District Taoyuan City 33063, Taiwan R.O.C.

Tel: +886-3- 376- 5678 Fax: +886-3- 376- 5319 E-Mail: service@evercomtech.com

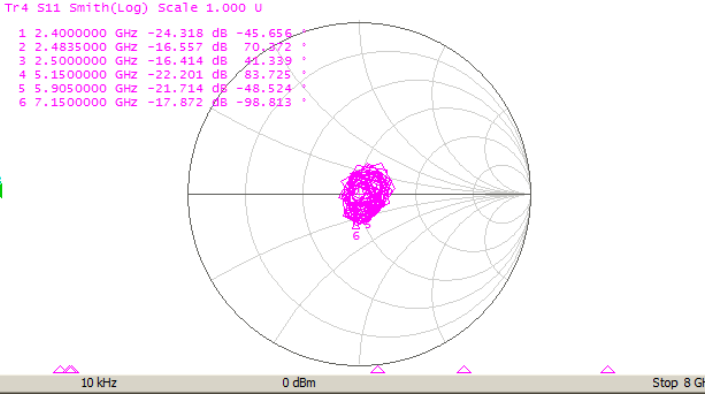
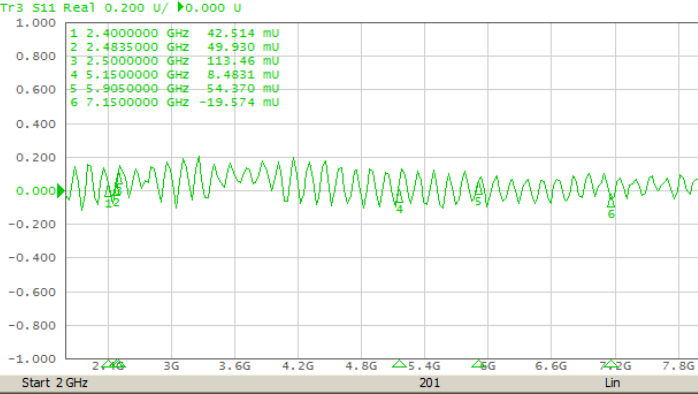
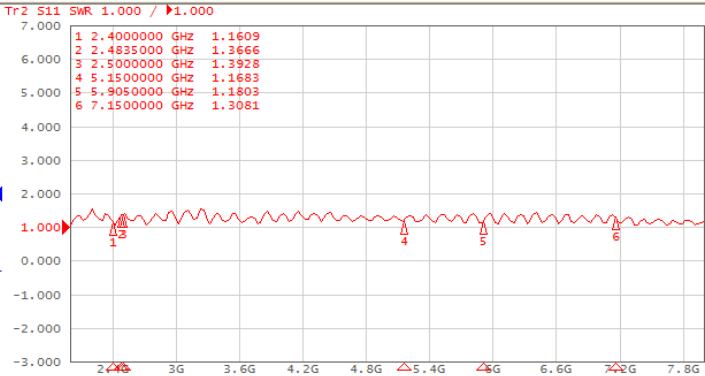
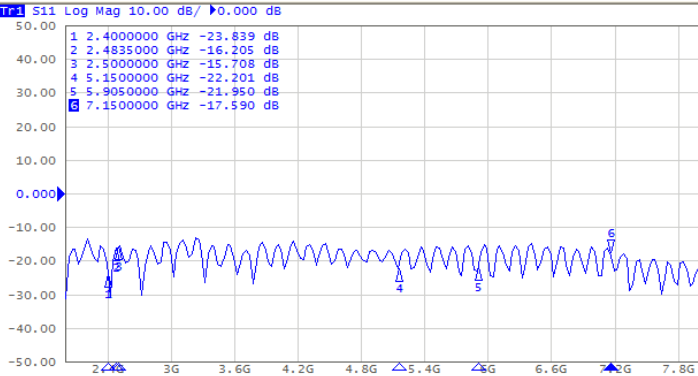


ISO 9001



	EVERCOM COMMUNICATION TECHNOLOGY CO; LTD		CHECKED BY	APPROVAL BY	DESIGNED BY	SCALE	UNIT
	MODEL NO.	TRB-TC-129			C.H.C 2015.10.12	1:1.5	mm

2021/10/27 上午 09:35:45



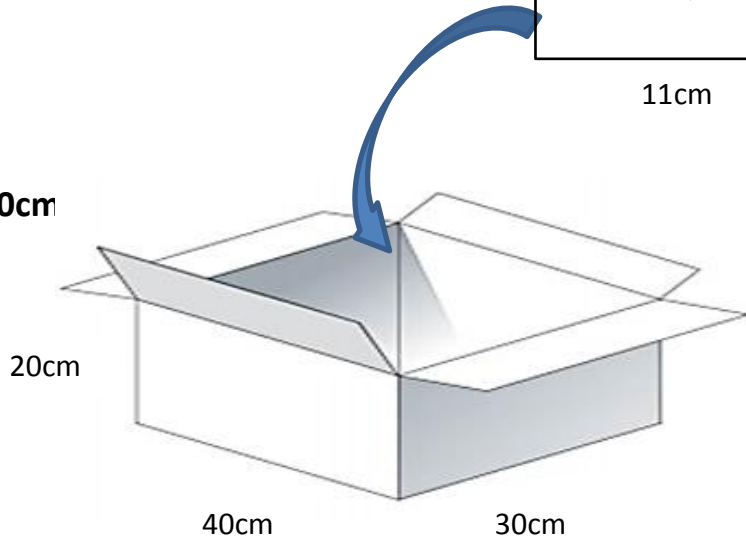


Packaging

Antenna pack in a poly bag



100 PCS Per Carton
Carton Dimensions:40*30*20cm





Antenna Applications

