



WIFI-6E Antenna

TRB-TC-931NF



Frequency :2400~2500/5150~5900/7125MHZ

Gain : 3dBi

Connector N/F

V.S.W.R : <1.5:1

Impedance : 50 ohm

Weight: 100g

Material : ABS/ COPPER

Polarization: Vertical

Color: Black

Mounting : L bracket(Optional)

Temperature:-20°C to + 60°C

Max. Power: 50W

Dimension: \varnothing 83 x 30mm

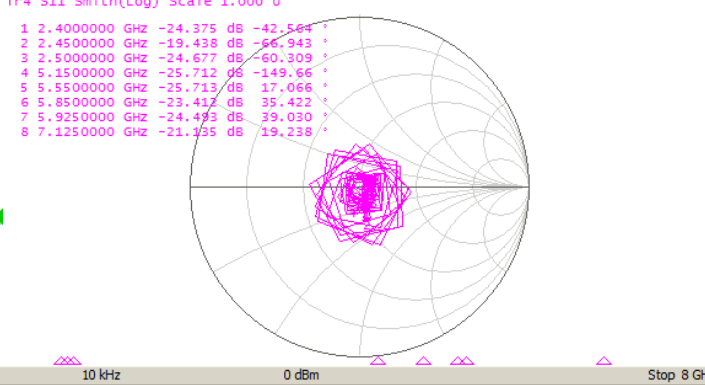
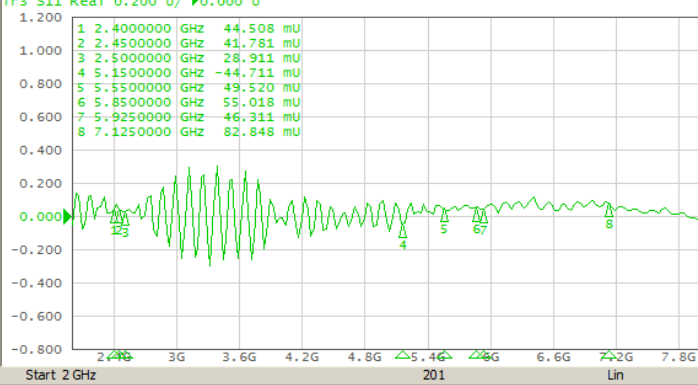
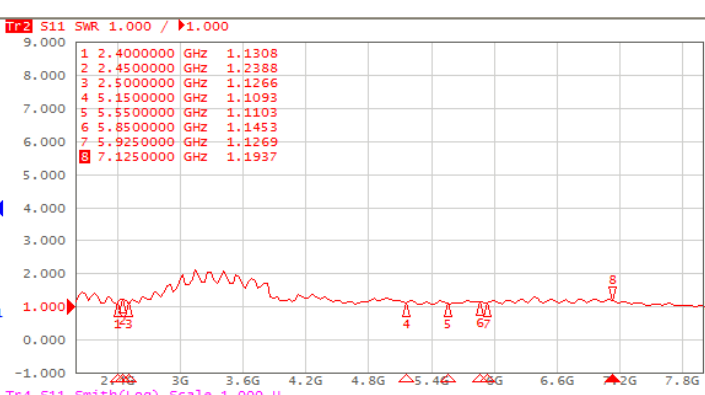
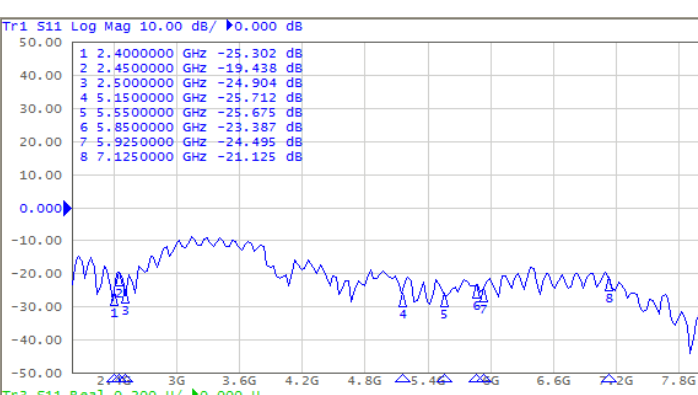
EVERCOM COMMUNICAITON TECHNOLOGY CO., LTD.

No.108 Jiesin St. Taoyuan District Taoyuan City 33063, Taiwan R.O.C.

Tel: +886-3- 376- 5678 Fax: +886-3- 376- 5319 E-Mail: service@evercomtech.com



	EVERCOM COMMUNICATION TECHNOLOGY CO.; LTD		CHECKED BY	APPROVAL BY	DESIGNED BY	SCALE	UNIT
	MODEL NAME	MODEL NO.	UMB-TC931NF-AAT		Ben 20190507	W.C.W 2018.04.19	1:1



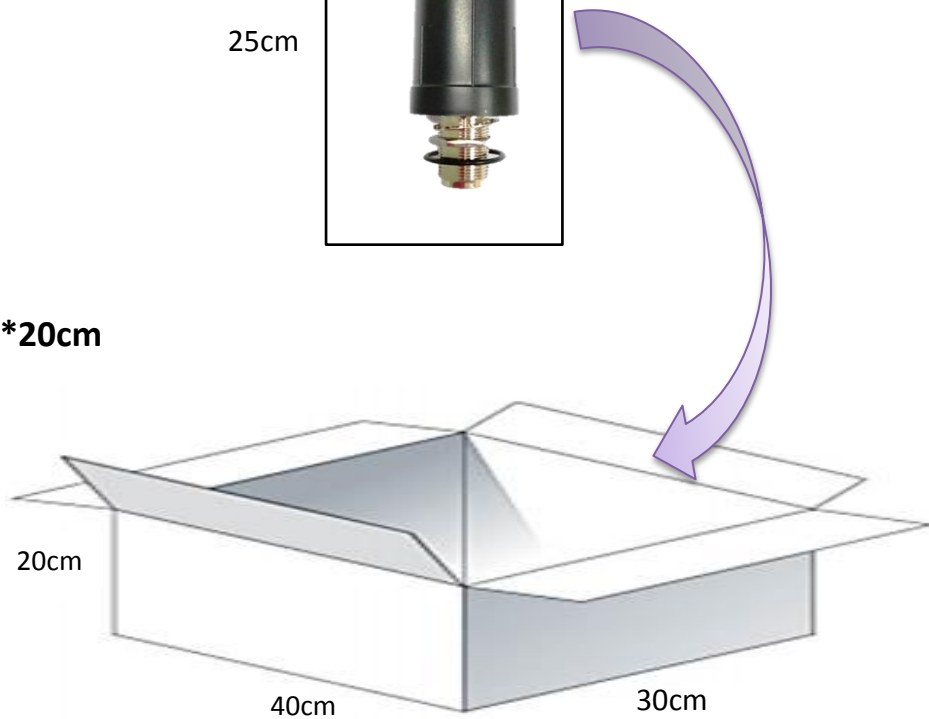


Packaging

Antenna pack in a poly bag

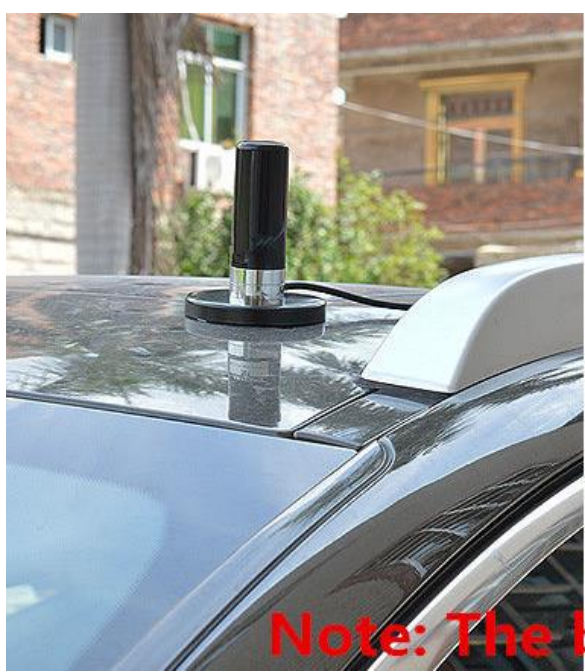


100 PCS Per Carton
Carton Dimensions:40*30*20cm



WIFI 6

Antenna Applications



Note: The base is not included

