



WIFI-6E Antenna

TRB-WLO-M22A



Frequency : 2.4-2.5GHz/5150-7125MHz

Gain : 6dBi

V.S.W.R : <1.5:1

Impedance : 50 ohm

Connector : SMA/M (Optional)

Cable : RG174 (Optional)

Material : Copper/ABS/ Steel

Dimension : 219.5 x 29 x 3mm

Weight : ≐ 70g

Color : Black

Mounting : Magnet Type

Polarization : Vertical

Temperature : -20°C to +60°C

EVERCOM COMMUNICAITON TECHNOLOGY CO., LTD.

No.108 Jiesin St. Taoyuan District Taoyuan City 33063, Taiwan R.O.C.

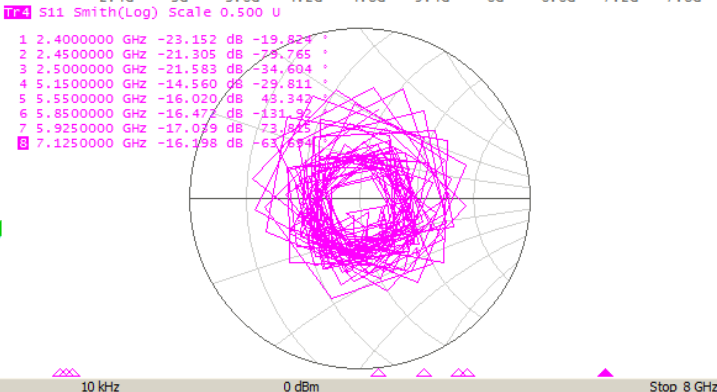
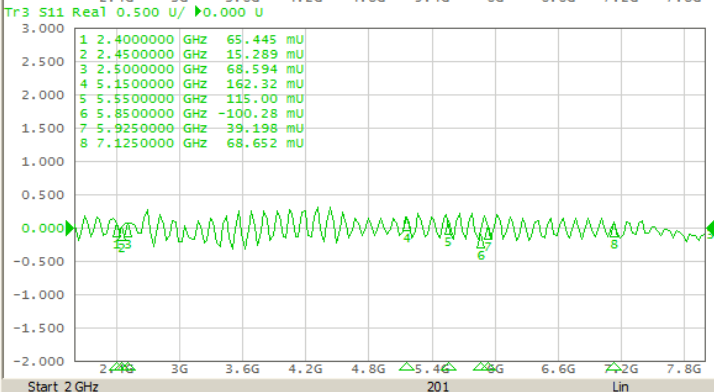
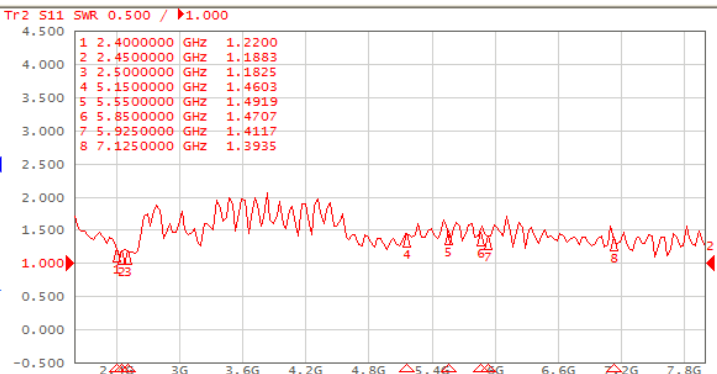
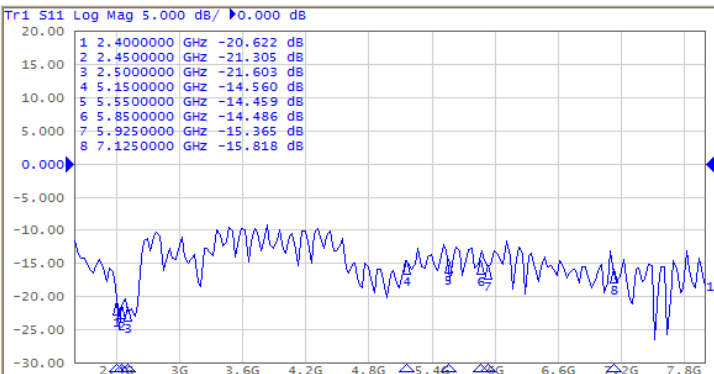
Tel: +886-3- 376- 5678 Fax: +886-3- 376- 5319 E-Mail: service@evercomtech.com



ISO 9001



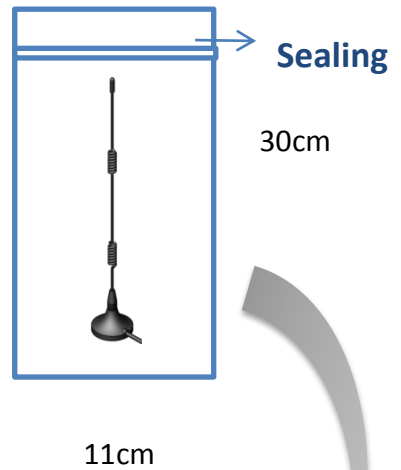
EVERCOM COMMUNICATION TECHNOLOGY CO.; LTD			CHECKED BY	APPROVAL BY	DESIGNED BY	SCALE	UNIT
MODEL NAME	MODEL NO.	WLO-M22A/SM3			C.H.C	1 : 1	mm
					2010.11.26		





Packaging

***1 pc Antenna
PE bag/ each**



**100 pcs per carton
Carton Dimensions:40*30*20cm**

